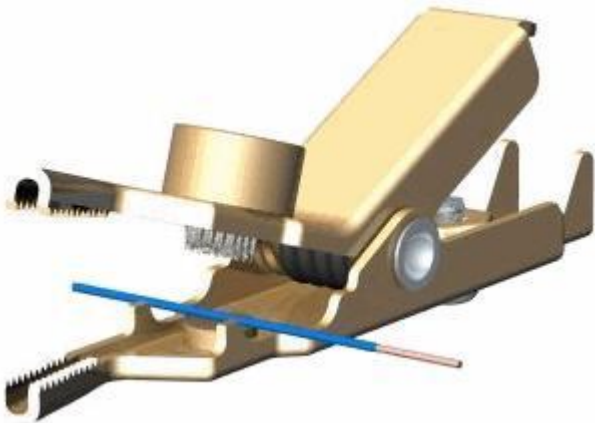


Model # JP-8783-\*\*\*

- | Mueller - J.S. Popper brand
- | Jaw opens 1.0" (25.4mm)
- | Uses single spike and bed of nails to pierce insulation
- | Material: nickel-silver jaws; includes brass screw, brass nut, brass washer, and bronze star washer
- | Length: 2.61" (66.4mm)
- | Connection Options: -N Without Hardware, -L With Loose Hardware, -J Banana Jack, -TJ Threaded Banana Jack

### **Small Angled Nose Telecom Clip with Bed of Nails**

---



Model # JP-25182-\*\*\*

- | Mueller - J.S. Popper brand
- | Jaw opens 1.0" (25.4mm)
- | Uses bed of nails to pierce insulation
- | Material: nickel-silver jaws; includes brass screw, brass nut, brass washer, and bronze star washer
- | Length: 2.34" (59.4mm)
- | Connection Options: -N Without Hardware, -L With Loose Hardware, -J Banana Jack, -TJ Threaded Banana Jack