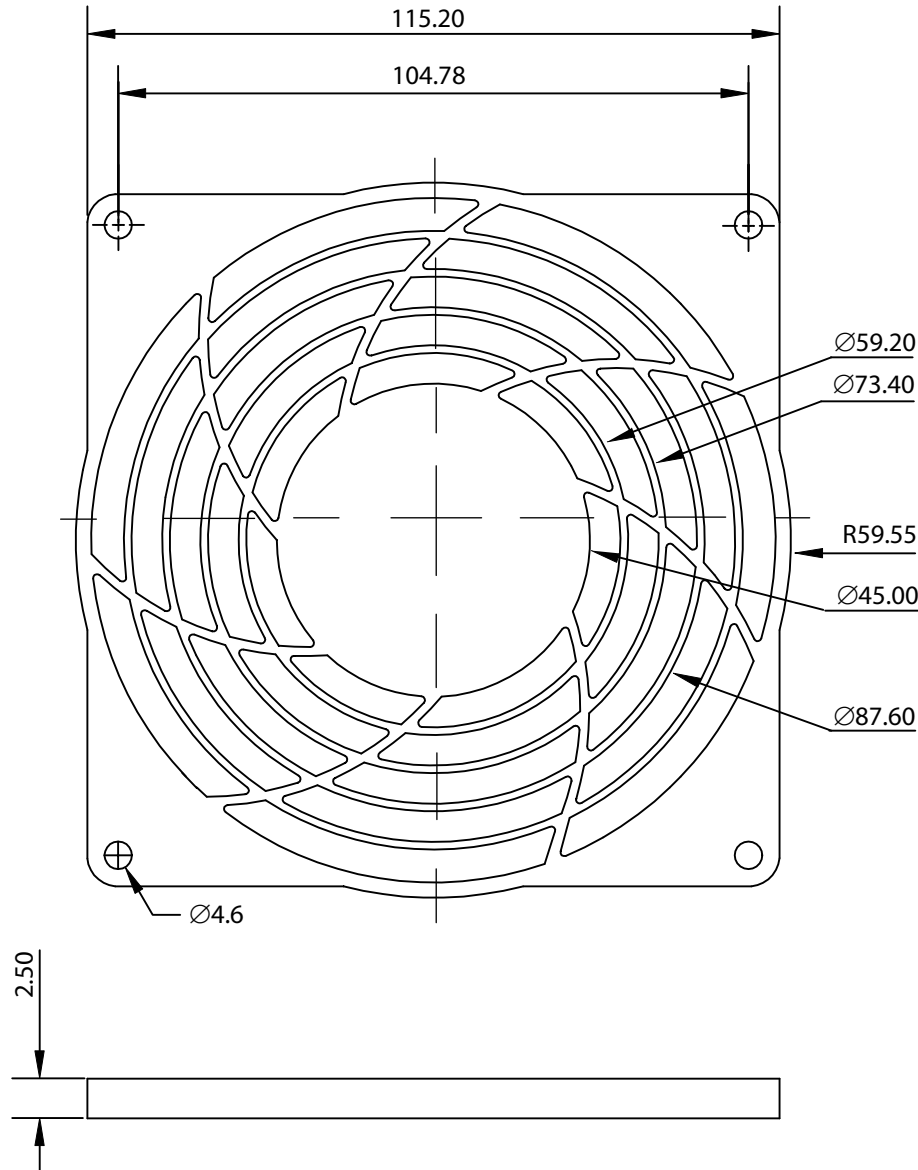


THESE DRAWINGS ARE THE PROPERTY OF QUALTEK ELECTRONICS AND NOT TO BE REPRODUCED FOR OR COMMUNICATED TO A THIRD PARTY WITHOUT THE EXPRESS WRITTEN PERMISSION OF AN OFFICER OF QUALTEK ELECTRONICS.

REVISION			
REV.	DESCRIPTION	DATE	APPROVED
B	RoHS Compliancy	06-01-06	DP
C	Updated Specifications	01-23-08	DP



NOTES:

MATERIAL: PC241RV-2  
RoHS COMPLIANT

**CONTROLLED**

Dim range (mm)	Tolerance +/- (mm)	Qualtek Electronics Corp. FAN-S DIVISION		
		Part Number: 09122-G <span style="border: 1px solid green; padding: 2px;">RoHS Compliant</span>		Description: PLASTIC FAN GUARD
0-5	0.1	UNIT: mm		
5-16	0.15			
16-64	0.2	REV: C		
64-250	0.4	Approved / Date		
250-1000	0.5	Drawn / Date	Checked / Date	Approved / Date
1000-1500	1.0	B. ZHANG 10-28-03	10-28-03	JJH / 10-28-03