

**DC Series
Tubeaxial
Cooling Fans
Model No. D47T10**

4.69" Sq. x 1.00"
(119 mm Sq. x 25 mm)
88-115 CFM
(41.5-54.2 L/Sec.)



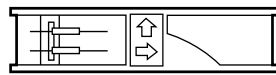
Features

- 7-blade impeller design provides:
 - Reduced noise
 - Improved performance
 - High efficiency
- Solid-state brushless motor design provides:
 - Auto restart
 - Low input power
 - Lower operating voltages
- Precision ball bearing system provides:
 - Longer life
 - Higher temperature extremes
 - Lower noise over time
 - Maximum shock and vibration resistance
- Designed to meet the rigid standards of UL, CSA, VDE, and CE.

Accessories:
Finger guards
Filters

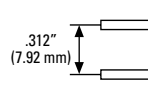
General Specifications

- Frame:** Reinforced polybutylene plastic (UL94V-0 flame retardant)
- Impeller:** Reinforced polybutylene plastic (UL94V-0 rating)
- Bearings:** Precision, life-lubricated ball bearings
- Insulation:** Class A integral ground system rated @ 248°F (120°C)
- Weight:** 7.7 ozs. (220 grams)
- Operating Temperature Range:** 14° to 158°F (-10° to 70°C)
- Insulation Resistance:** 10 megohms minimum @ 250 VDC
- Dielectric Strength:** 500 VAC for 60 seconds
- Safety Protection:** Electronic locked rotor protected; polarity protected
- Life Expectancy:** 75,000 hours minimum @ 77°F (25°C)
- Options:** (Consult Factory)
Tachometer output
Terminal versions
Locked rotor sensor output

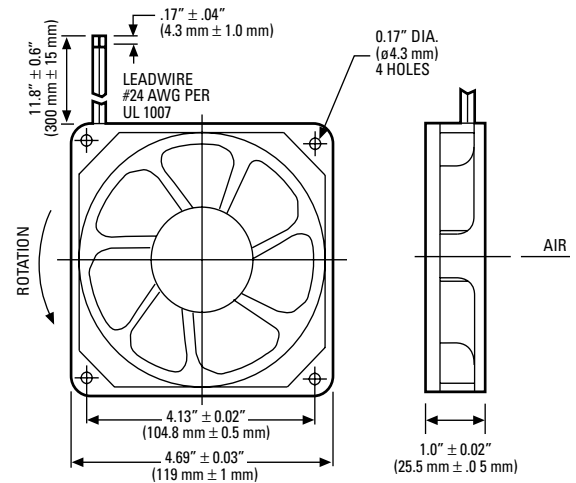


Terminals

2 Solder Terminals
Centers: .312" (7.92 mm)
Thickness: .02" (.51 mm)
Width: .120" (3.05 mm)
Length: .31" (7.8 mm)



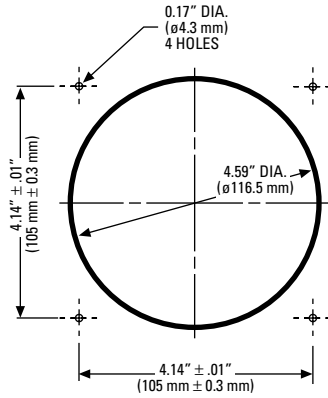
**RED LEAD IS POSITIVE (+)
BLACK LEAD IS NEGATIVE (-)
WHITE LEAD IS TACHOMETER/SENSOR**



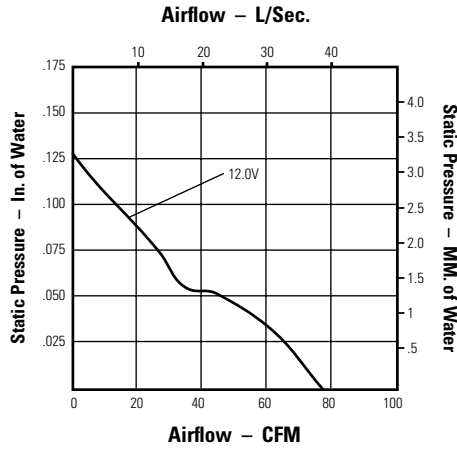
Globe Motors Part Number	Nominal Voltage VDC	Voltage Operating Range VDC	Watts	Line Amps	RPM	Acoustic Noise dBA	Airflow (Min.)	
							CFM	Liters per Second
D47-B10A-04W2-100	12	6.0 / 13.8	3.36	0.28	2200	35	88	41.5
D47-B10A-04W3-100	12	6.0 / 13.0	6.60	0.55	2800	42	115	54.2
D47-B10A-05W2-100	24	10.0 / 27.6	3.60	0.15	2200	35	88	41.5
D47-B10A-05W3-100	24	10.0 / 26.0	6.96	0.29	2800	42	115	54.2

*Note: For tachometer output models, substitute "B" in part number. Part Number D47-B10"A"-04W2-000 would change to D47-B10"B"-04W2-000. Minimum order quantity may apply.
For locked rotor sensor output models, substitute "C" in part number. Part Number D47-B10"A"-04W2-000 would change to D47-B10"C"-04W2-000. Minimum order quantity may apply.

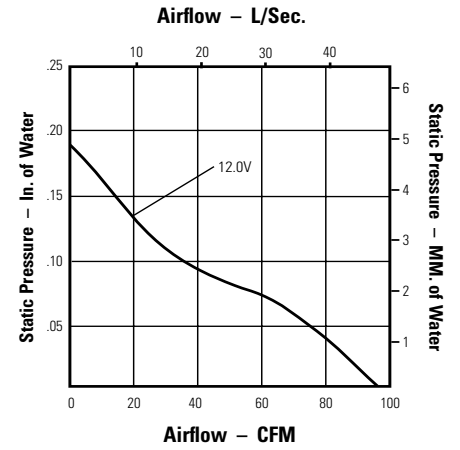
Installation Guide



Performance at Sea Level



D47-B10A-04W2-100



D47-B10A-04W3-100

Approvals



UL File No.
E105397



CSA File No.
72877



VDE File No.
17074-2611-0701

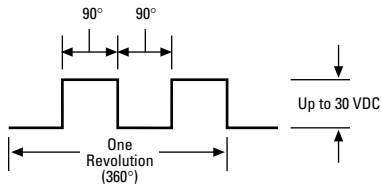


NOTES:

All operating specifications measured at nominal operating voltage, free air at sea level

24 volt performance is identical to 12 volt fan performance

Tachometer Output (Open Collector Circuit)



Locked Rotor Output (Open Collector Circuit)

