

Back

- o Flat Cable Connectors SEK
- o *har-mik*®
- o D-Sub
- o InduCom


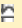
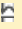
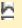
➔ Applications

Product details

09 31 006 2601 Male insert, Han 6 HsB

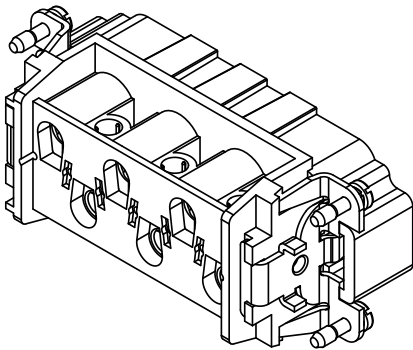
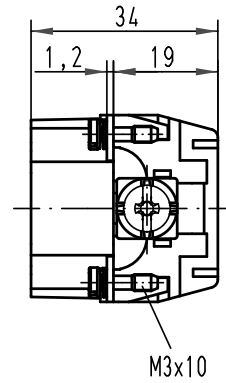
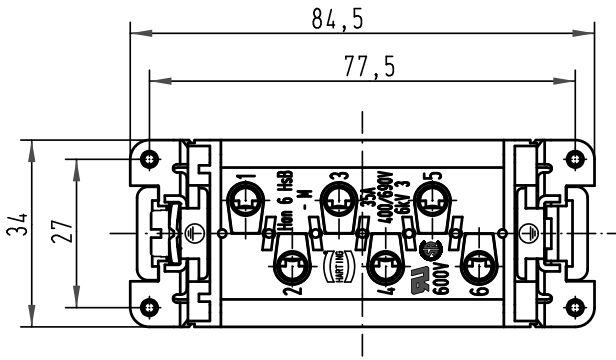
Series	Han® HsB
Number of contacts	6 poles + PE
Size of hood/ housing	Han® 16 B
Termination	Screw termination
Insert material	Standard material
Contacts	Inclusive
Electrical data	35 A 400/690 V 6 kV 3
RoHS compliant	Yes



Available Downloads

Title	Format	
Data sheet	PDF	 download
CAD data 2D	DXF	 download
CAD data 3D	IGES	 download
CAD data 3D	STEP	 download

Inquiry

Alle Rechte vorbehalten/ All rights reserved



 All Dimensions in mm Original Size DIN A 4	Techn. Character.			Nicht tolerierte Maß/Free size tolerances	
		Dat.	Name	Maßstab/Scale	
		Detail.	29.01.01	Gö	1:1
		Insp.		Rü	
	Stand.				Han 6 HsB (1-6) Stiftträger / male insert
413214	14.09.07	Rull	HARTING Electric GmbH & Co. KG D-32339 Espelkamp		TB 09 31 006 2601 Sub. TB 09 31 006 26.1 vom 25.02.93
29192					Blatt/ page
Mod.	Dat.	Name			