

2 TOGGLE SWITCHES

General Purpose Toggle Switches — AC/DC Rated

DESCRIPTION

This line of switches employs a Quick-make/Quick-break contact mechanism. The resultant high speed movement eliminates the "teasing" of the switch and reduces the pitting of the contact surfaces due to arcing. Self-cleaning and wiping contact action assures positive contact on switch operation. These switches are especially suited for use in small motor applications.

SPECIFICATIONS

Ratings:

See selection table.

Circuits:

1PST, 1PDT, 2PST, 2PDT.

Maintained and momentary toggle action.

Contact Mechanism:

Quick-make/Quick-break wiping action.

Contact Material:

Bronze silver plated.

Terminal Types:

Screw Terminals — Brass designed to accept #5-40 x 5/32" (Cat. No. 11-26) screws. Furnished unassembled.

Solder Lug Terminals — Brass silver plated with 2.16 - 2.29mm (.085 - .090") dia. hole.

Integrated Wire Leads — 18 gauge, 6" long and skinned 3/4". Special wire leads lengths beyond 6" are available at additional charge.

Base Material:

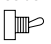
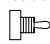
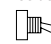
Thermoset molding material.

Mounting Means:

Threaded Bushing — 11.89mm (.468") dia., 32 threads/inch.

Keyway — 1.73 x .89mm deep (.068 x .035" deep), provides antirotation feature.

AC/DC RATED TOGGLES SELECTION TABLE (BOLD FACE TYPE INDICATES ITEMS NORMALLY IN DISTRIBUTOR STOCK)

Rating	Poles and Throw	Circuit with Toggle in			BASE CIRCUIT SEE PAGE 4.28	Bushing Length B mm (inches)	Lever Length A mm (inches)	CATALOG NUMBERS		
		UP Position 	CENTER Position 	DOWN Position (Keyway) 				Solder Lugs	Screw Terminals	Wire Leads
ONE POLE										
3A, 250V dc	1 P.S.T.	ON	NONE	OFF	A	8.74 (.344)	12.70 (.500)	8280K115	8295K107	8290K115
6A, 125V ac/dc 3A, 250V dc	1 P.S.T.	ON	NONE	OFF	A	8.74 (.344)	12.70 (.500)	8381K107	8396K107	8391K107
		ON ON*	NONE NONE	OFF OFF OFF		11.91 (.469)	12.70 (.500)	8381K108 8928K478	8396K108 —	8391K108 —
6A, 125V ac/dc 3A, 250V dc	1 P.D.T.	ON	NONE	ON	B	11.91 (.469)	12.70 (.500)	8928K479	—	—
TWO POLE										
6A, 125V ac/dc 3A, 250V dc	2 P.S.T.	ON ON*	NONE NONE	OFF OFF	C	11.91 (.469)	12.70 (.500)	8370K107 8928K481	8372K107 8928K482	8371K107 —
	2 P.D.T.	ON ON	NONE NONE	ON ON	D	8.74 (.344)	12.70 (.500)	8373K108 8373K107	8375K108 8375K107	8374K108 8374K107

* Momentary Contact.

Hardware supplied —
 1 hexagon locknut
 (Cat. No. 15-192) and
 1 bright nickel plated knurled
 facenut (Cat. No. 15-124F1).
 Furnished unassembled.

Finish:

Bright nickel plated toggle
 lever and bushing.

Operating

Temperature Range:

-17.8°C to +65.6°C
 (0°F to +150°F).

Options:

- Lever —11/16"
- Lever seal.
- Mounting hardware.
 Furnished assembled.
- Other lead lengths.

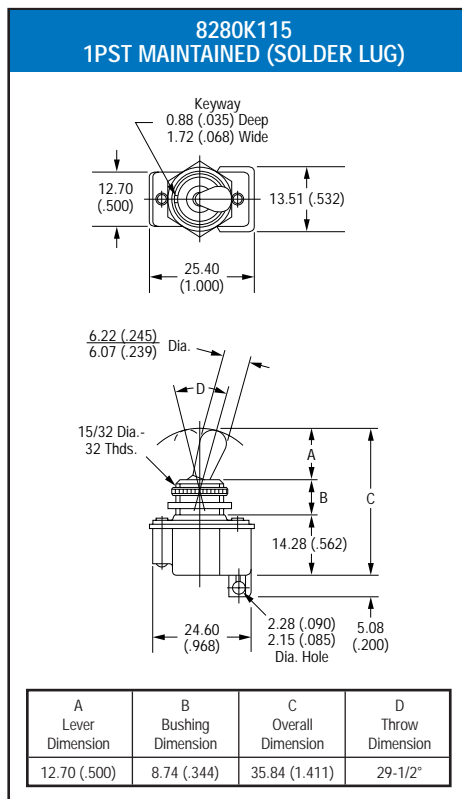
Approvals:

UL Recognized.

CSA Certified.



DIMENSIONS APPROXIMATE IN MM (INCHES)



Dimensions continue on [page 2.10](#).



8280K115



8372K107



8290K115



8374K107

DIMENSIONS APPROXIMATE IN MM (INCHES)

8370 & 8373K107 & K108 2PST/2PDT MAINTAINED (SOLDER LUG)					8371 & 8374K107 & K108 1PST MAINTAINED (WIRE LEAD)					8373 & 8375107 & K108 2PST/2PDT MAINTAINED (SCREW TERMINALS)				
A Lever Dimension	B Bushing Dimension	C Overall Dimension	D Throw Dimension		A Lever Dimension	B Bushing Dimension	C Overall Dimension	D Throw Dimension		A Lever Dimension	B Bushing Dimension	C Overall Dimension	D Throw Dimension	
12.70 (.500)	8.74 (.344)	43.03 (1.694)	29-1/2"		12.70 (.500)	8.74 (.344)	37.69 (1.484)	29-1/2"		12.70 (.500)	8.74 (.344)	37.69 (1.484)	29-1/2"	
12.70 (.500)	11.91 (.469)	46.23 (1.820)	25-1/2"		12.70 (.500)	11.91 (.469)	38.48 (1.515)	25-1/2"		12.70 (.500)	11.91 (.469)	40.87 (1.609)	25-1/2"	

