

1 ROCKER SWITCHES

EURO/SR Standard Size Euro-Style Rocker Switches

DESCRIPTION

Field-proven in America's roughest off-road applications, the standard size **EURO/SR** is one tough and reliable rocker switch. Available with the complete range of rugged one and two-pole, illuminated or non-illuminated circuits. The **EURO/SR** Series offers snap-in mounting and can be provided with a durable silicone seal which resists dust and moisture. All **EURO/SR** switches are molded in an aesthetically pleasing matte finish and operate with a crisp tactile feel allowing

for easy actuation. The **EURO/SR** will accept loads up to 15A. Terminal numbers are stamped on base for easy identification.

SPECIFICATIONS

Ratings:
 15A @ 125V ac.
 10A @ 250V ac.
 3/4 Hp @ 250V ac.
 (Hp rating does not apply to lighted switches.)
 CUR marked.
 Recommended up to 15A @ 28V dc.

Circuits:

1PST, 1PDT, 2PST, and 2PDT.
 Maintained and momentary action.

Contact Mechanism:

Slow-make/Slow-break contact mechanism.
 Butt action contact mechanism designed specifically for use on ac and low voltage dc applications.

Mechanical Life:

Maintained — 100,000 operations, minimum.
 Momentary — 25,000 operations, minimum.

HOW TO ORDER — EURO/SR

To determine your **Complete Catalog Number**, you must start with the appropriate **Base Circuit Number** and add the appropriate **Code Letters** and/or **Numbers** as in the example below:

Start with this Base Circuit Number	...add each appropriate Code Number or Letter...							...to get to your Complete Catalog Number
Base Circuit Catalog Number	Mounting Frame	Bulb Voltage	Lamp Wiring	Rocker Style	Rocker Color	Lens Color	Seal Option	Complete Catalog Number
8007K20	N	3	1	4	V	3	2	8007K20N314V32

EURO/SR SELECTION TABLE

Rating	Poles and Throw	Circuit with Rocker in			BASE CIRCUIT			CODE LETTERS AND NUMBERS — ADD TO BASE CIRCUIT NUMBER														
		UP Position	CENTER Position	DOWN Position	Termination Type			Mounting Frame	Bulb Voltage		Lamp Wiring		Rocker Style		Rocker Color		Lens Color		Seal Option			
					250" Spade Terminal	Solder Lugs	Screw Terminal		Color	Code	Voltage Type	Code	Type	Code	Type	Code	Color	Code	Color	Code	Type	Code
NON-ILLUMINATED																						
10A 250V ac	1 P.S.T.	2-3	NONE	OFF	8006K23	8006K24	8006K25	Black	N	N/A	N/A	N/A	N/A	Two Face	1	White	M	N/A	N/A	Non-Sealed	1	
		2-3*			8006K35	8006K36	8006K37															
	1 P.D.T.	2-3	OFF	2-1	8006K20	8006K21	8006K22															
		2-3	NONE	2-1	8006K26	8006K27	8006K28															
		2-3*	OFF	2-1	8006K29	8006K30	8006K31															
		2-3*	OFF	2-1*	8006K32	8006K33	8006K34															
15A 125V ac	2 P.S.T.	2-3, 5-6	NONE	OFF	8006K43	8006K44	8006K45															
		2-3, 5-6*			8006K55	8006K56	8006K57															
15A 28V dc	2 P.D.T.	2-3, 5-6	OFF	2-1, 5-4	8006K40	8006K41	8006K42															
		2-3, 5-6	NONE	2-1, 5-4	8006K46	8006K47	8006K48															
		2-3, 5-6*	OFF	2-1, 5-4	8006K49	8006K50	8006K51															
		2-3, 5-6*	OFF	2-1, 5-4*	8006K52	8006K53	8006K54															
2 P.D.T.Ⓢ	2-3, 5-6	2-3	OFF		8006K58	8006K59	8006K60															
		5-6		5-1	8006K61	8006K62	8006K63															
ILLUMINATED																						
10A 250V ac	1 P.S.T.	2-3	NONE	OFF	8007K23	8007K24	8007K25	Black	N	14V dc	3	7	4	1	Two Face w/1 Lens	3	White	M	White	1	Non-Sealed	1
		2-3*	OFF	NONE	8007K35	8007K36	8007K37															
	1 P.D.T.	2-3	OFF	2-1	8007K20	8007K21	8007K22															
		2-3	NONE	2-1	8007K26	8007K27	8007K28															
		2-3*	OFF	2-1	8007K29	8007K30	8007K31															
		2-3*	OFF	2-1*	8007K32	8007K33	8007K34															
15A 125V ac	2 P.S.T.	2-3, 5-6	NONE	OFF	8007K43	8007K44	8007K45															
		2-3, 5-6*	OFF	NONE	8007K55	8007K56	8007K57															
15A 28V dc	2 P.D.T.Ⓢ	2-3, 5-6	OFF	2-1, 5-4	8007K40	8007K41	8007K42															
		2-3, 5-6	NONE	2-1, 5-4	8007K46	8007K47	8007K48															
		2-3, 5-6*	OFF	2-1, 5-4	8007K49	8007K50	8007K51															
		2-3, 5-6*	OFF	2-1, 5-4*	8007K52	8007K53	8007K54															
2 P.D.T.Ⓢ	2-3, 5-6	2-3	OFF																			
		5-6																				

*Momentary contact.

Ⓢ 3A @ 250V ac, 6A @ 125V ac.

Ⓢ 1/4 Hp @ 125-250V ac.

Ⓢ Not available with lamp wired independent of circuit and provided with (2) lamps and (2) lens only (use only rocker styles 4 and 9). Note: All double throw circuits both 1 pole and 2 pole require

(2) lamps and (2) lens when lamp wired dependent on circuit. When lamp wired independent of circuit for 1PDT switches: device is supplied with 1 lamp and (2) lens (lamp centered in open pole of base).

Ⓢ Available on single pole versions only.

Electrical Life:

25,000 operations min. at full load.

Terminal Types:

Standard 6.35 mm (.250") spade — Brass.

Screw — Brass

(terminal screws provided unassembled).

Solder — Tintillate plated brass.

Base Material:

Thermoset molding material.

Rocker Material:

Thermoplastic rocker actuators. Different colors are available. Rocker and bezel are a high grade nylon supplied with matte finish.

Lamps:

Five lamp voltages, 14V dc, 18V dc, 28V dc, 125V ac neon, and 250V ac neon are offered as standard. For additional lamp voltages, please contact your Eaton Sales Representative.

Dielectric:

1,000V RMS, minimum.

Operating Temperature:

-40° to 85°C (-40°F to 185°F).

Mounting Means:

Snap-in mounting with plastic bezel.

Seal:

Available in sealed and non-sealed versions. Sealed devices are furnished with silicone rubber seal providing moisture and dust resistance.

Lens Part Numbers

(if ordered separately):

- Green 28-5415
- Amber 28-5415-2
- Red 28-5415-3
- Blue 28-5415-4
- White 28-5415-5

Options:

- Additional colors of rockers and bezels are available.
- Special circuits.
- Special ratings.
- Pad-printed legends on rocker and bezel.
- Special voltage bulbs.
- Dry circuit capabilities.
- Foam dust seal.
- Reversing jumpers.
- Printed circuit terminals and other terminal types.
- Wire leads.
- Dead back cover.
- Industry standard connector: **28-3426**. See page 4.26.
- EURO/SR panel plug: **53-3318**. See page 4.27.

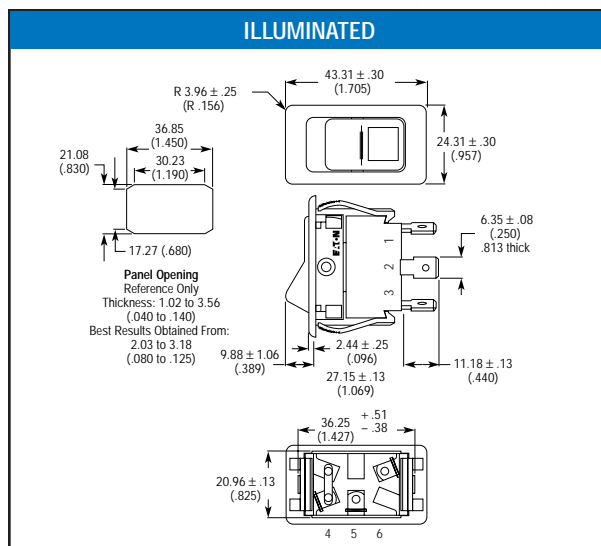
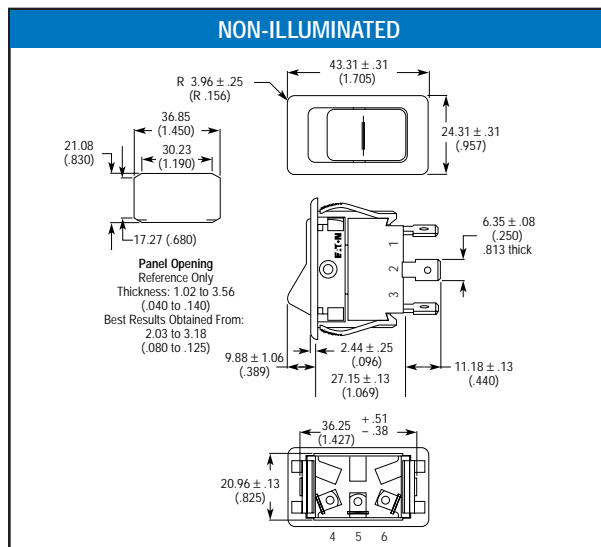
For information on optional features, contact your Eaton Sales Representative.

Approvals:

UL Recognized and recognized component for Canada (CUR marked): File E2702.



DIMENSIONS APPROXIMATE IN MM (INCHES)



8006K22N1M2
EURO/SR



8007K40N314032
EURO/SR



8007K23N313V11
EURO/SR



8007K24N323V42
EURO/SR