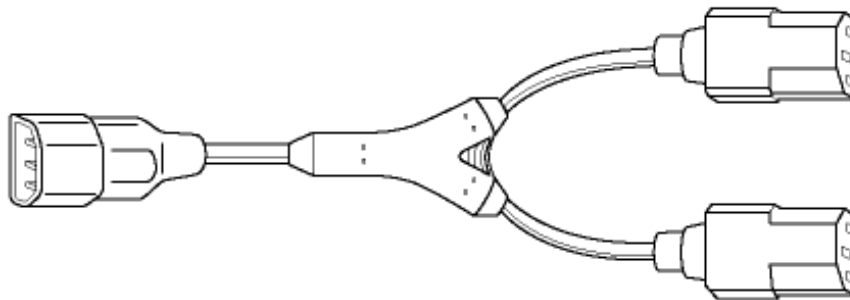


VOLEX

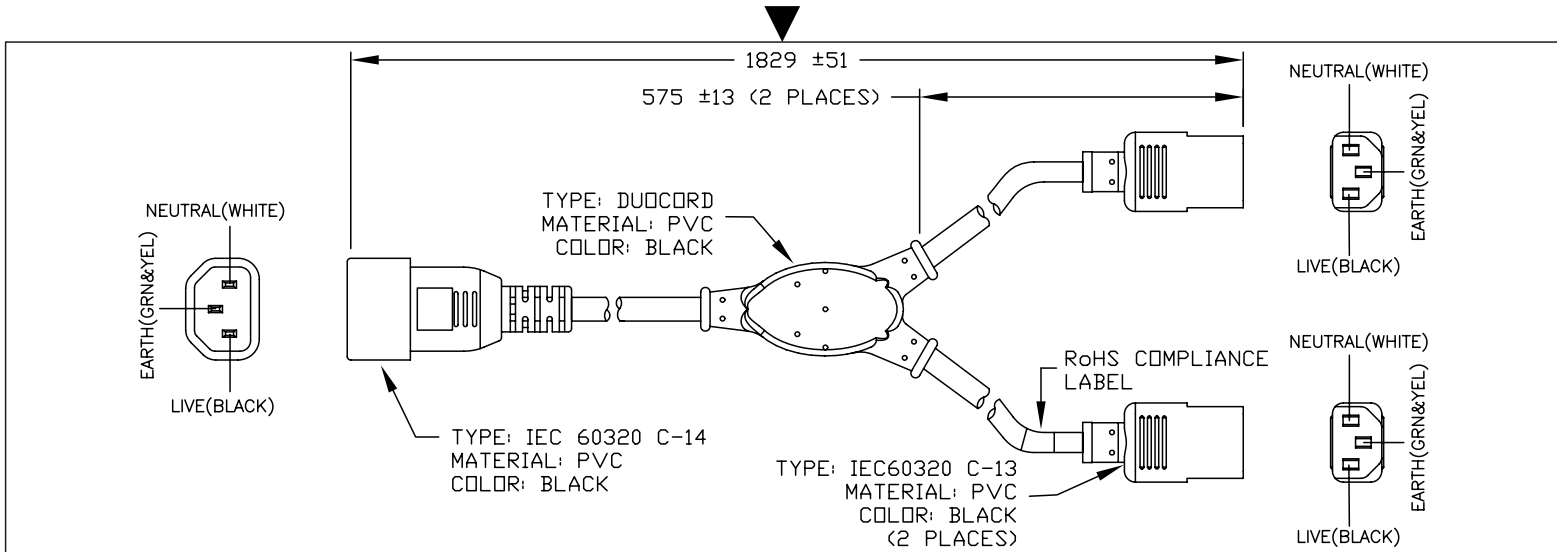
GROUP

## Standard Cord Details: 17270A 10 B1



### Specifications

<b>Certifications</b>	
<b>Part Number</b>	17270A 10 B1
<b>Connector Type</b>	C13
<b>Plug Type</b>	C14
<b>Category</b>	Plastic
<b>Application</b>	Y Cord
<b>Plug Catalog No.</b>	
<b>Connector Catalog No.</b>	
<b>Cable</b>	SJT AWG 16x3
<b>Jacket Color</b>	Black
<b>Length in Feet</b>	6' 2' legs
<b>Length in Meters</b>	1.8 Meters Overall Length
<b>Temperature Rating</b>	60 C
<b>Packaging Units Per Carton</b>	25
<b>Color Coding</b>	North America
<b>Nominal OD in Inches</b>	0.34
<b>Nominal OD in Millimeters</b>	8



VOLEX RESERVES THE RIGHT TO ALTER NON-CRITICAL DIMENSIONS WITHOUT NOTICE.

PACKAGING: BULK (NO HANK OR COIL)

**NOTES:**

- 1) CORDAGE: 16/3 SJT, 60°C, BLACK, LEAD FREE
- 2) APPROVALS:
- 3) RATING: 13 AMPS/250 VOLTS
- 4) FLAME RATING : FT2
- 5) PACKAGING: 50 PIECES/CARTON
- 6) ALL DIMENSIONS IN MILLIMETERS.

REV	DESCRIPTION	DATE
1	C.U.D - NEW RELEASE	8/30/07

 FORM IN71-07 REV.A	<input checked="" type="checkbox"/> Indianapolis, IN <input type="checkbox"/> Conover, N.C. <input type="checkbox"/> Freemont, CA <input type="checkbox"/> Aguascalientes, MX <input type="checkbox"/> Tijuana, Mexico <input type="checkbox"/> Hermosillo, MX <input type="checkbox"/> Clinton, AR <input type="checkbox"/> Kanata, Canada	<b>Proprietary Notice:</b> This document is the property of Volex Incorporated. The information contained herein is not to be disclosed to anyone without the express written consent of Volex Inc.	<b>MATERIAL:</b> PLUG: PVC, BLACK JACKET: PVC, BLK, LEAD FREE  <b>FINISH:</b> JACKET: SMOOTH	<b>SCALE:</b> NOT TO SCALE  <b>ECD:</b> N/A	<b>ITEM DESCRIPTION</b> CORDSET - NORTH AMERICAN DETACHABLE POWER SUPPLY CORD (6')
	<b>TOLERANCE UNLESS OTHERWISE SPECIFIED</b> .XXX ± .005 .XX ± .02 .X ± .03 FRACT. ± 1/32 ANGULAR ± 1/2°	<b>APPROVED</b> STC	<b>DRAWN BY</b> STC	<b>DATE:</b> 8/30/07	<b>PART NO.</b> 17270A 10 B1