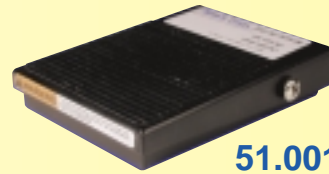


PCFS-3M

- Compact, one pedal foot switch with and without guard

Standard Features

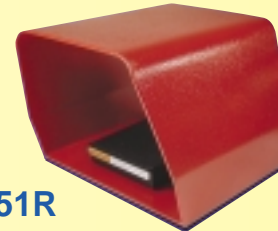
- Housing: Black steel body and pedal cover
- Guard: Modern design with high quality steel construction and rubber mat, color: bright red or orange
- Protection Level: IP 20
- Switch Insert: Snap action microswitch, UL/CSA approved
 - Electrical Rating: 10A (1/2HP)/125V AC (If used with appropriate cable, see cable chart on page 29)
 - Contact Types: Momentary
 - Circuit: SPDT-SB or 1n.o.
- Strain Relief: Built-in
- Cable:
 - Without Cable
 - Multi conductor, SJOOW
- Temperature Range: -20°C up to +80°C (-4°F up to +176°F)



51.001B



51.051OR



51.051R



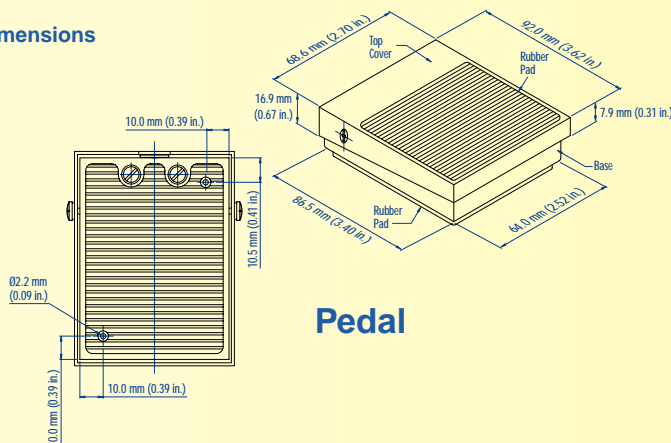
Ordering Information

Catalog No.	Circuit Function	Electrical Rating	Guard (color)	Cable Length (Size)	Protection Level
PCFS-3M (No Cable)					
51.001B	SPDT-SB	10A(1/2HP)/125V AC	None	None (Terminals)	IP 20
PCFS-3MU (with guard)					
51.051R	SPDT-SB	10A(1/2HP)/125V AC	X (Red)	None (Terminals)	IP 20
51.051OR	SPDT-SB	10A(1/2HP)/125V AC	X (Orange)	None (Terminals)	IP 20
PCFS-3M with cable (3 Conductor)					
51.012B	1n.o.	10A(1/2HP)/125V AC	None	2m/6.6ft (18AWG)	IP 20
51.015B	1n.o.	10A(1/2HP)/125V AC	None	5m/16.4ft (18AWG)	IP 20
PCFS-3MU (with guard)					
51.062R	1n.o.	10A(1/2HP)/125V AC	X (Red)	2m/6.6ft (18AWG)	IP 20
51.065R	1n.o.	10A(1/2HP)/125V AC	X (Red)	5m/16.4ft (18AWG)	IP 20
51.062OR	1n.o.	10A(1/2HP)/125V AC	X (Orange)	2m/6.6ft (18AWG)	IP 20
51.065OR	1n.o.	10A(1/2HP)/125V AC	X (Orange)	5m/16.4ft (18AWG)	IP 20
PCFS-3M with cable (4 Conductor)					
51.022B	SPDT-SB	10A(1/2HP)/125V AC	None	2m/6.6ft (18AWG)	IP 20
51.025B	SPDT-SB	10A(1/2HP)/125V AC	None	5m/16.4ft (18AWG)	IP 20
PCFS-3MU (with guard)					
51.072R	SPDT-SB	10A(1/2HP)/125V AC	X (Red)	2m/6.6ft (18AWG)	IP 20
51.075R	SPDT-SB	10A(1/2HP)/125V AC	X (Red)	5m/16.4ft (18AWG)	IP 20
51.072OR	SPDT-SB	10A(1/2HP)/125V AC	X (Orange)	2m/6.6ft (18AWG)	IP 20
51.075OR	SPDT-SB	10A(1/2HP)/125V AC	X (Orange)	5m/16.4ft (18AWG)	IP 20

Options

- Color of guard
- Cable:
 - Shielded cable
 - Per customer specifications
- Connectors:
 - Per customer specifications

Dimensions



Pedal

Guard

