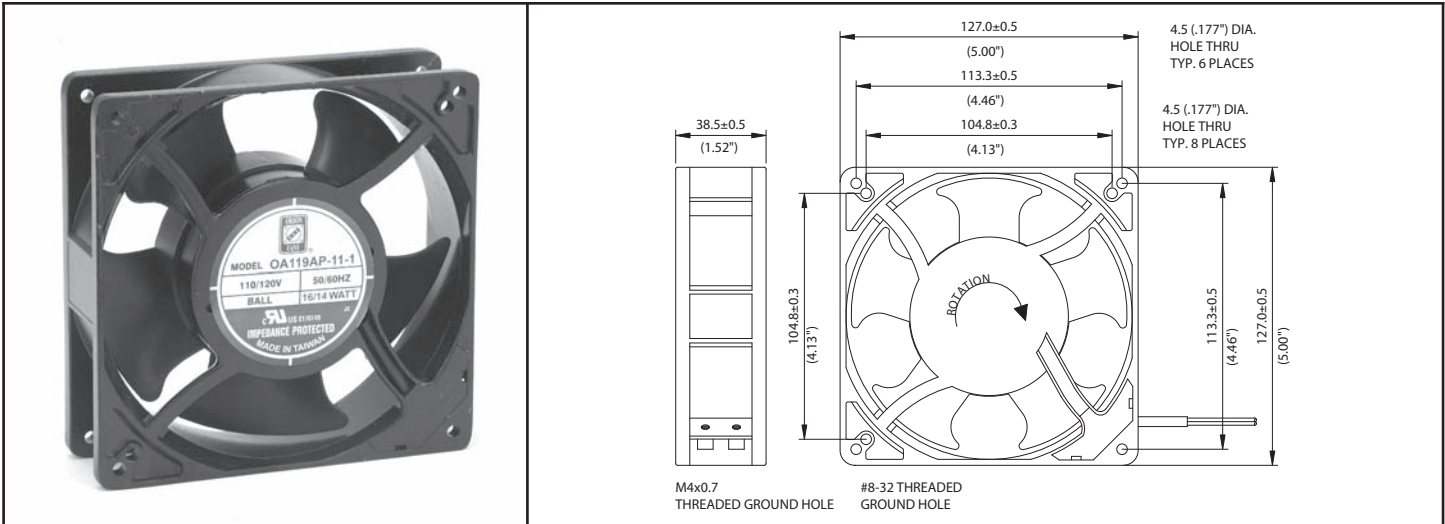


# OA119 Series



AC Fan - 115V, 230V  
127 x 38mm (5.0" x 1.5")



Frame	Diecast Aluminum	<u>Operating Temperature</u> Ball Bearing -20C ~ +80C Sleeve Bearing -10C ~ +50C  <u>Life Expectancy</u> Ball Bearing 60,000 hours (L10 at 40C) Sleeve Bearing 30,000 hours (L10 at 40C)  <u>Dual Voltage</u> Connection via 4x leads. Fans can be configured for 115V or 230V operation.	
Impeller	PBT, UL94V-O plastic		
Connection	2x Lead Wires 22 AWG or terminals		
Motor	Shaded pole, impedance protected Tachometer available (5VTTL), input 5 ~24V		
Bearing System	Dual ball or Sleeve		
Insulation Resistance	>100M ohm between lead-wire and frame (500VDC)		
Dielectric Strength	1 min at 1500 VAC, 50/60Hz		

Model Number	Speed (RPM)	Airflow (CFM)	Noise (dB)	Volts AC	Voltage Range	Watts	Max. Static Pressure (\"H2O)
OA119AP-11-1*	3000	130	46	115	80~130	14	.24
OA119AP-11-2*	2300	95	37	115	80~130	10	.15
OA119AP-11-3*	1400	74	28	115	80~130	7	.10
OA119AP-22-1*	3000	130	46	230	160~260	14	.24
OA119AP-22-2*	2300	95	37	230	160~260	10	.15
OA119AP-22-3*	1400	74	28	230	160~260	7	.10

\* Indicate "TB" (Terminal Ball Bearing), "WB" (12" Wire Leads, Ball Bearing), "TS" (Terminal, Sleeve Bearing), "WS" (12" Wire Leads, Sleeve Bearing)