


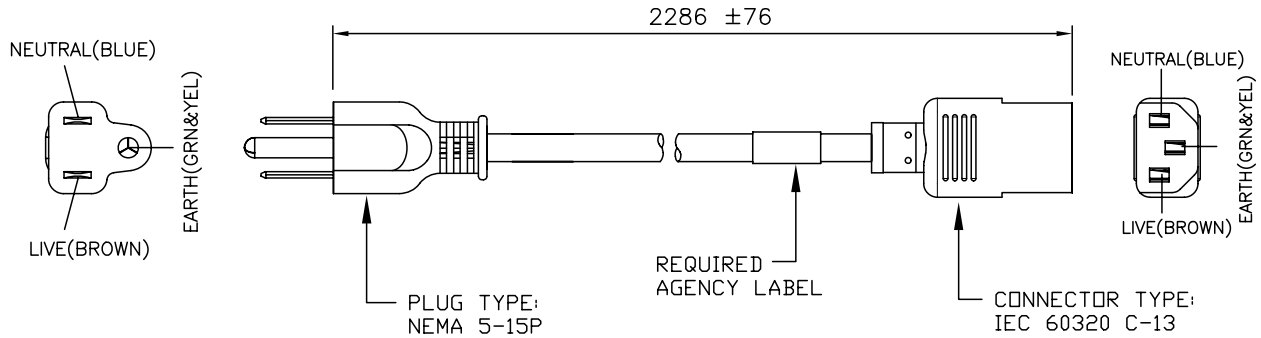
VOLEX

GROUP

Standard Cord Details: 17251 10 B1

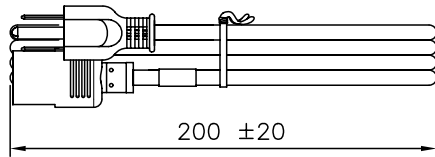


Specifications	
Certifications	
Part Number	17251 10 B1
Connector Type	C13
Plug Type	5-15P
Category	Plastic
Application	Detachable
Plug Catalog No.	US15S3
Connector Catalog No.	386A
Cable	SVT AWG 18x3
Jacket Color	Black
Length in Feet	7.5
Length in Meters	2.29
Temperature Rating	60C
Packaging Units Per Carton	100
Color Coding	International
Nominal OD in Inches	0.246
Nominal OD in Millimeters	6.25
Notes	Same as 17250 except for color code.



VOLEX RESERVES THE RIGHT TO ALTER NON-CRITICAL DIMENSIONS WITHOUT NOTICE.

PACKAGING: FOLD & TIE



NOTES:

- 1) CORDAGE: 18/3 SVT, 60°C, BLACK
- 2) APPROVALS:
- 3) RATING: 10 AMP/125 VOLTS
- 4) FLAME RATING: FT2
- 5) PACKAGING: 100 PIECES/CARTON
- 6) ALL DIMENSIONS IN MILLIMETERS.

REV	DESCRIPTION	DATE
3	REVISED TO SHOW CHINA MANUFACTURED CORD	11/26/07
2	FORMAT UPDATE	08/18/04
1	C.U.D - NEW RELEASE	06/08/04

 FORM IN71-07 REV.A	<input checked="" type="checkbox"/> Indianapolis, IN <input type="checkbox"/> Conover, N.C. <input type="checkbox"/> Freemont, CA <input type="checkbox"/> Aguascalientes, MX <input type="checkbox"/> Tijuana, Mexico <input type="checkbox"/> Hermosillo, MX <input type="checkbox"/> Clinton, AR <input type="checkbox"/> Kanata, Canada	Proprietary Notice: This document is the property of Volex Incorporated. The information contained herein is not to be disclosed to anyone without the express written consent of Volex Inc.	MATERIAL: PLUG: PVC, BLACK JACKET: PVC, BLACK RoHS/Prop 65 Compliant	SCALE: NOT TO SCALE	ECD: N/A	ITEM DESCRIPTION CORDSET-NORTH AMERICAN DETACHABLE POWER SUPPLY CORD (7.5')		
	FINISH: JACKET: SMOOTH		TOLERANCE UNLESS OTHERWISE SPECIFIED .XXX ± .005 .X ± .02 .X ± .03 FRACT. ± 1/32 ANGULAR ± 1/2°	APPROVED STC	DRAWN BY ARK	DATE: 06/08/04	PART NO. 17251 10 B1	