

MICRO SWITCH

A DIVISION OF MINNEAPOLIS-HONEYWELL REGULATOR COMPANY
FREEPORT, ILLINOIS



FED. MFR. CODE 91929

PACKET

CATALOG LISTING

15PA25

15PA25

M

DRAWING NUMBER

X

X

ISSUE

3

REPLACES

RELEASE NO. SR 8723

CHECK

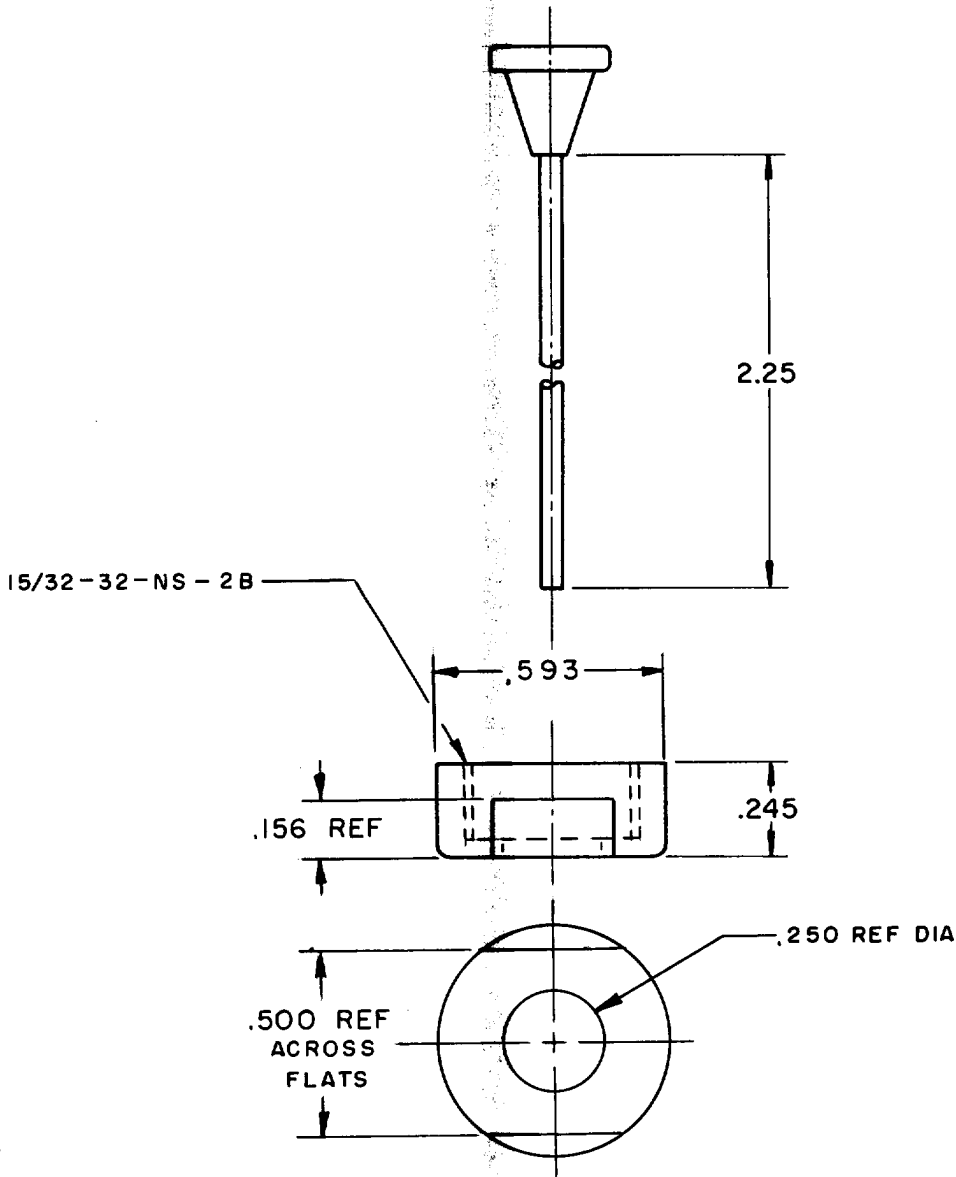
REVISIONS
A SR 8723
M B F
6 JAN 60
B CO 23509
M B F
5 DEC 67
BLS 31 DEC 59

CHECK

GCH 7 JAN 60

CHECK

DRAWN
D A W 31, DEC '59



THIS DRAWING COVERS A PROPRIETARY ITEM AND IS THE PROPERTY OF MICRO SWITCH, A DIVISION OF MINNEAPOLIS-HONEYWELL REGULATOR CO. THIS DRAWING IS NOT TO BE COPIED OR USED WITHOUT THE APPROVAL OF MICRO SWITCH.

CHARACTERISTICS

ELECTRICAL DATA

SCALE 2 TO 1

CONTACT ARRANGEMENT

BREAK DISTANCE

DO NOT SCALE PRINT

UNLESS OTHERWISE SPECIFIED

DIMENSIONS ARE IN INCHES

TOLERANCES ARE:

ONE PLACE (.0) ±.030

TWO PLACE (.00) ±.015

THREE PLACE (.000) ±.005

ANGLES ±

WEIGHT