

CATALOG LISTING
6PA32

MICRO SWITCH
A DIVISION OF MILWAUKEE HONEYWELL REGULATOR COMPANY
MILWAUKEE, WISCONSIN
FED. MFR. CODE 91929

PACKET

(M) SKETCH 13715
ISSUE 7

6PA32

M

DRAWING NUMBER

ISSUE

REPLACES

RELEASE NO. SR-7432

12JUN08

CMH

CHECK

14APR58

CHECK

E.F.H.

CHECK

15APR58

CHECK

10, APRIL '58

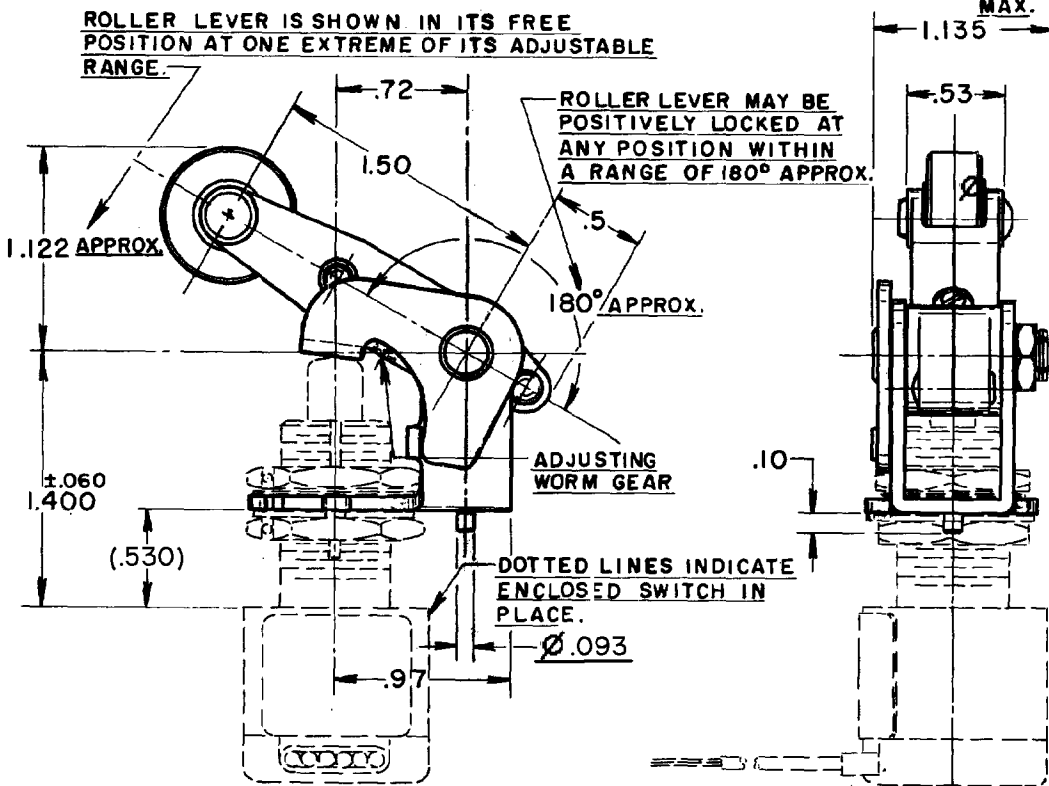
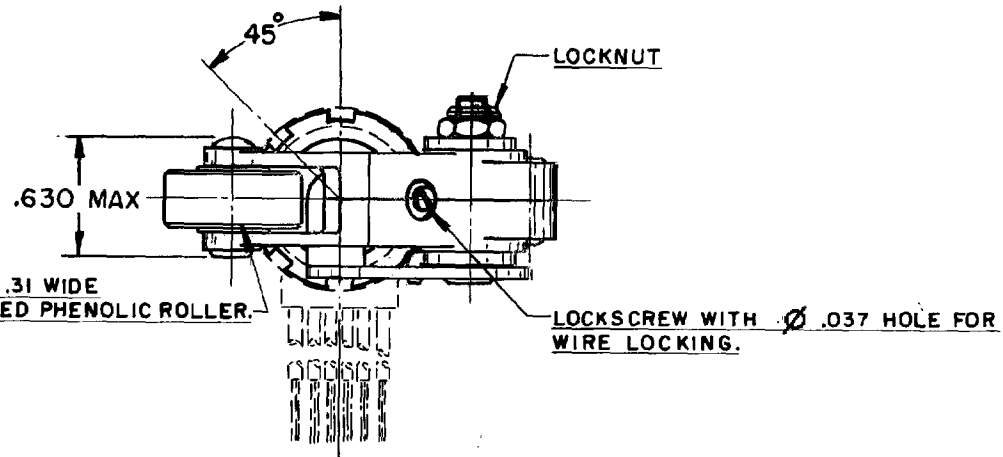
REVISIONS	
A	0013643 O M W 19 NOV 59
B	0019456 M B F 2 OCT 64
C	0026688 M B S 12 JAN 70
D	0058079 KEW 25 SEP 85
E	0095373 JAH 12 JUL 99
F	0007744 TCC-AP 3 SEP 04
G	0040541 NR 12JUN08

FORMTEK

FO-90378

DRAWN

K. L. B.



NOTE-
1- REPLACEMENT ARM IS PART NO. 6PA30

ANSI Y14.5M-1982 APPLIES

THIS DRAWING COVERS A PROPRIETARY ITEM AND IS THE PROPERTY OF MICRO SWITCH, A DIVISION OF HONEYWELL. THIS DRAWING IS NOT TO BE COPIED OR USED WITHOUT THE APPROVAL OF MICRO SWITCH.

CHARACTERISTICS (WITH EN1-6 SWITCH INSTALLED)	ELECTRICAL DATA		SCALE - FULL
OPERATING FORCE ----- 3-6 LBS.	CONTACT ARRANGEMENT	BREAK DISTANCE	DO NOT SCALE PRINT
FULL OVERTRAVEL FORCE ----- 15 LBS. MAX.			UNLESS OTHERWISE SPECIFIED
RELEASE FORCE ----- 2 LBS. MIN.			DIMENSIONS ARE IN INCHES
PRETRAVEL ----- .080 MAX.			TOLERANCES ARE:
DIFFERENTIAL TRAVEL ----- .040 MAX.			ONE PLACE (.0) ±.030
OVERTRAVEL ----- .500 MIN.			TWO PLACE (.00) ±.018
			THREE PLACE (.000) ±.008
			ANGLES ± 5°
			WEIGHT 2.3 OZ MAX