

MICRO SWITCH

FREEPORT, ILLINOIS, U.S.A.
 A DIVISION OF HONEYWELL
 FED. MFG. CODE 91929

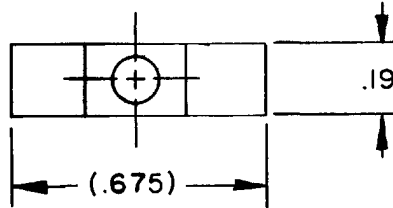
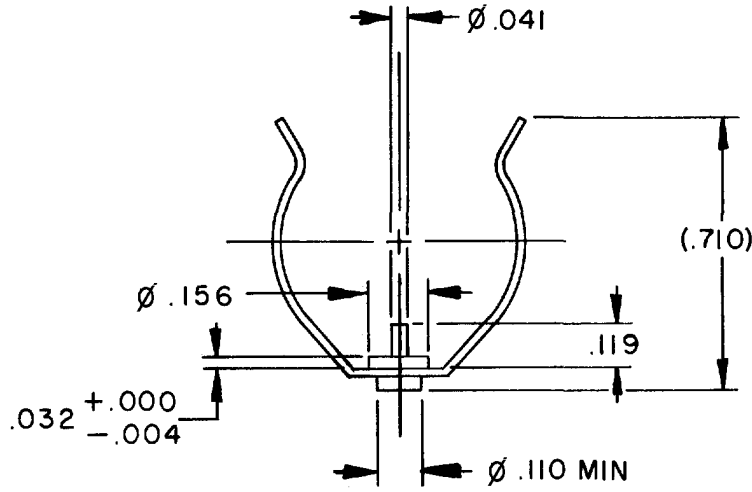
PACKET

CATALOG LISTING

15PAI37

FAA-PMA

THIS DRAWING COVERS A PROPRIETARY ITEM AND IS THE PROPERTY OF MICRO SWITCH, A DIVISION OF HONEYWELL. THIS DRAWING IS NOT TO BE COPIED OR USED WITHOUT THE APPROVAL OF MICRO SWITCH.



15PAI37
 M
 DRAWING NUMBER
 2
 ISSUE
 REVISIONS
 A C093500
 DLT
 4 NOV 98
 2 JAN 88
 74
 31 DEC 74
 FORMTEK
 FO-52850
 DRAWN
 GLH

REPLACES

RELEASE NO. PR-4709

CHECK

CHECK

CHECK

SCALE 2:1	
DO NOT SCALE PRINT	
TOLERANCES ARE:	
ONE PLACE (.0)	± 0.8
TWO PLACE (.00)	± 0.030
THREE PLACE (.000)	± 0.015
ANGLES	± 0.13
WEIGHT	± 0.005

ANSI Y14.5M-1982 APPLIES