

**MICRO SWITCH**

A DIVISION OF MINNEAPOLIS-HONEYWELL REGULATOR COMPANY  
MINNEAPOLIS, MINN. H

FED. MFR. CODE 91929

**PACKET**

(M) SKETCH 17520  
ISSUE 3

6PA34

M

DRAWING NUMBER

ISSUE

REPLACES

RELEASE NO. SR-7433

18 APR 58

CHECK E L

14 APR 58

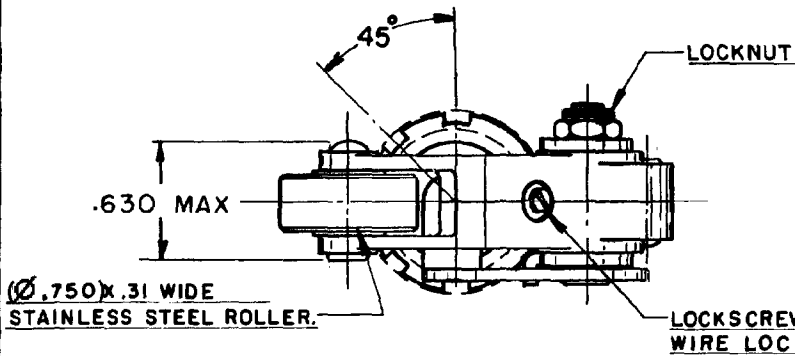
CHECK E, F, H

15 APR 58

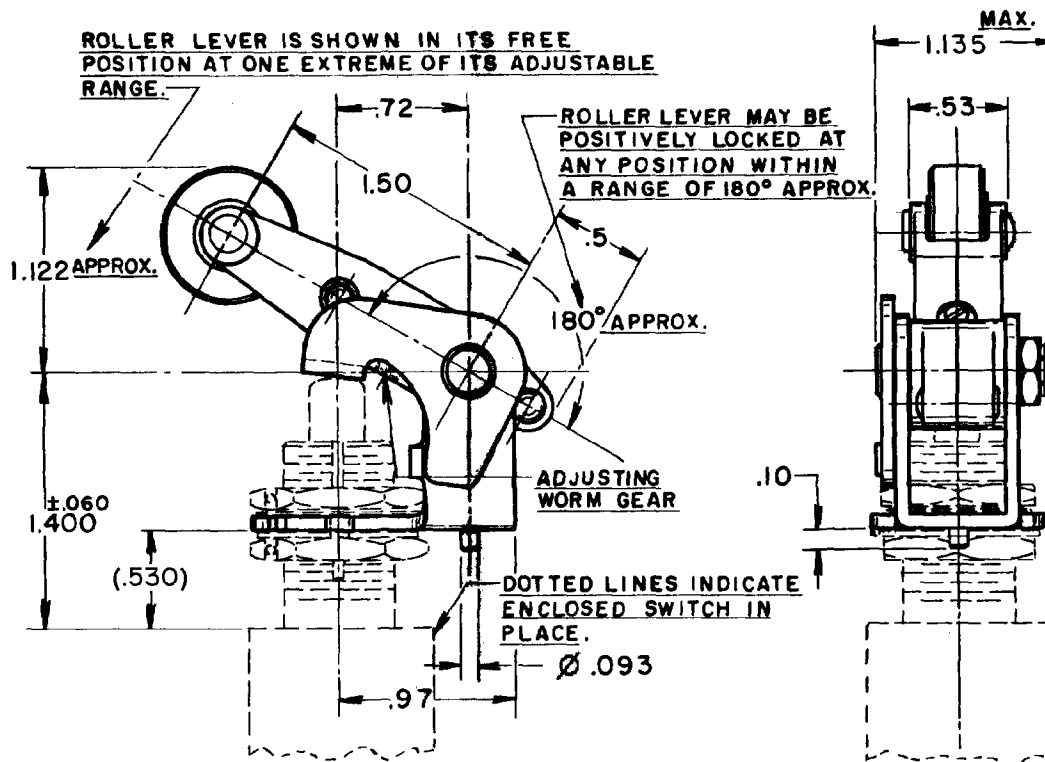
CHECK G, C, H

REVISIONS

A	CO13643	OMW	19 NOV 59
B	CO19456	MBF	2 OCT 64
C	CO23813	PER	19 FEB 68
D	CO26688	MBS	12 JAN 70
E	CO95373	JAH	12 JUL 99
F	0007744	TCC-AP	3 SEP 04



WARNING- THIS PRODUCT IS SUBJECT TO THE U.S. INTERNATIONAL TRAFFIC IN ARMS REGULATIONS (ITAR), AND THE EXPORT CONTROL LAWS OF THE UNITED STATES. TRANSFER OF TECHNICAL DATA PERTAINING TO THIS PRODUCT BY ANY MEANS TO A FOREIGN PERSON PER ITAR DEFINITIONS, WHETHER IN THE UNITED STATES OR ABROAD, WITHOUT A PRIOR EXPORT LICENSE OR OTHER APPROVAL FROM THE U.S. DEPARTMENT OF STATE, IS PROHIBITED.



**NOTE-**

- 1-UNIT DESIGNED TO WITHSTAND TEMPERATURE OF 600°F
- 2-REPLACEMENT ARM IS PART NO. 6PA358

ANSI Y14.5M-1982 APPLIES

THIS DRAWING COVERS A PROPRIETARY ITEM AND IS THE PROPERTY OF MICRO SWITCH, A DIVISION OF HONEYWELL. THIS DRAWING IS NOT TO BE COPIED OR USED WITHOUT THE APPROVAL OF MICRO SWITCH.

**CHARACTERISTICS (WITH 12HR4-S SWITCH INSTALLED)**

OPERATING FORCE	3-6 LBS.
FULL OVERTRAVEL FORCE	15 LBS. MAX.
RELEASE FORCE	2 LBS. MIN.
PRETRAVEL	.080 MAX.
DIFFERENTIAL TRAVEL	.040 MAX.
OVERTRAVEL	.500 MIN.

**ELECTRICAL DATA**

CONTACT ARRANGEMENT	BREAK DISTANCE
---------------------	----------------

**SCALE-FULL**

DO NOT SCALE PRINT

UNLESS OTHERWISE SPECIFIED DIMENSIONS ARE IN INCHES

**TOLERANCES ARE:**

ONE PLACE	(.0)	±.030
TWO PLACE	(.00)	±.015
THREE PLACE	(.000)	±.008
ANGLES		± 5°

WEIGHT

FORMTEK

0-50376

DRAWN

K.L.B. 10, APRIL '58