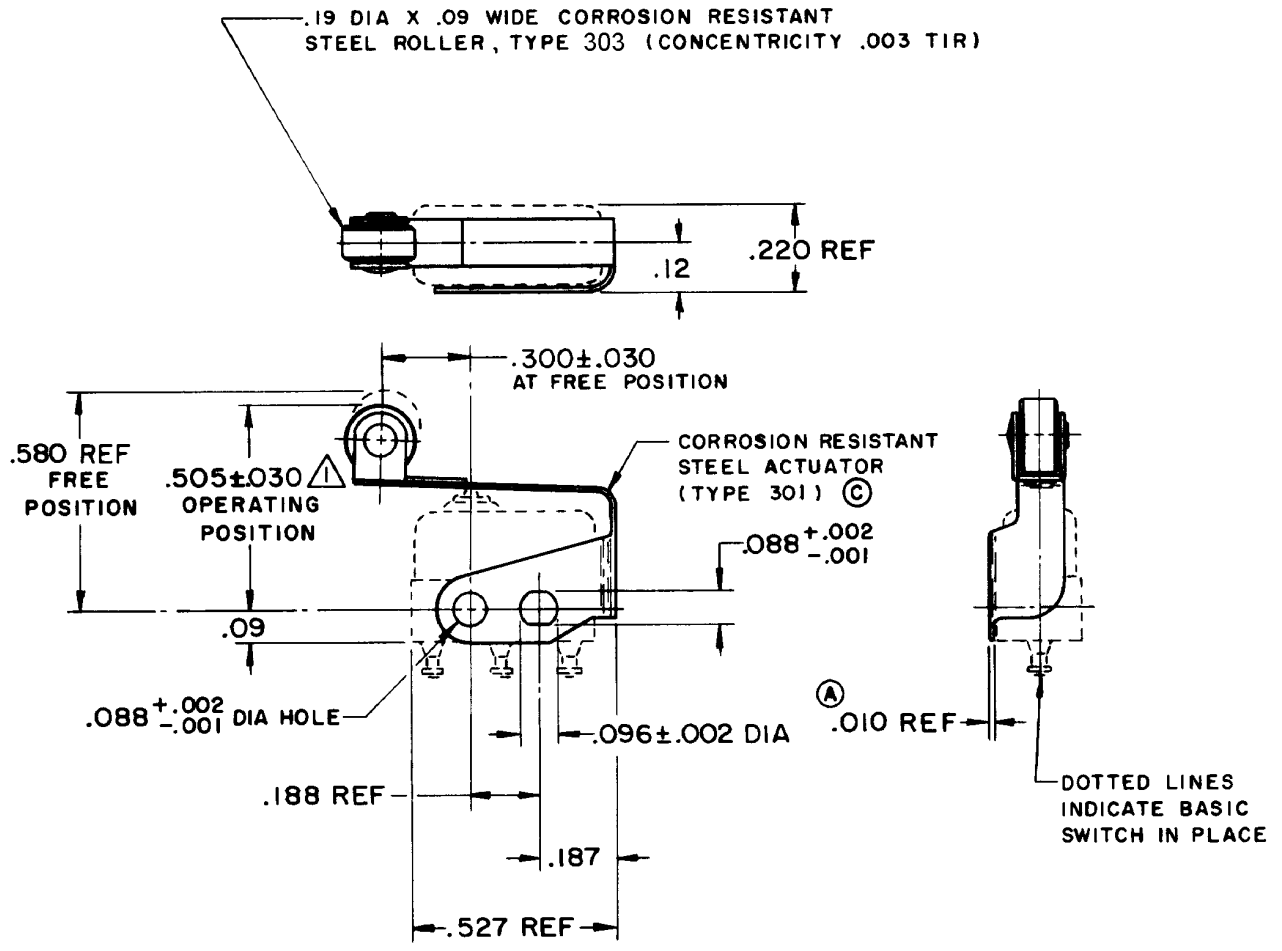


MICRO SWITCH
 A DIVISION OF MINNEAPOLIS-HONEYWELL REGULATOR COMPANY
 FREEPORT, ILLINOIS
 FED. MFR. CODE 91929

ACTUATOR-SWITCH

CATALOG LISTING
JX-53

JX-53
 M
 DRAWING NUMBER
 X
 X
 ISSUE
 14SEP05
 RELEASE NO. SR 8642
 RJ
 CHECK
 REVISIONS
 A CO15829
 MBP
 17 APRIL 61
 B CO22579
 OMW
 2 MAY 67
 C CO22579
 MBP
 19 APR 68
 D CO82929
 DLT
 13 MAY 69
 E 0015428
 SPK
 14SEP05
 CHECK
 GCH
 24 NOV 59
 NOV 59
 DRAWN
 O M W 23 NOV 59
 FO-80378



NOTE-
 ⚠️ SLIGHT ROTATION BETWEEN BASIC AND ACTUATOR MAY BE NECESSARY TO OBTAIN OPERATING POSITION, BASED ON USING NO. 2-56 MACHINE SCREWS

THIS DRAWING COVERS A PROPRIETARY ITEM AND IS THE PROPERTY OF MICRO SWITCH, A DIVISION OF MINNEAPOLIS-HONEYWELL REGULATOR CO. THIS DRAWING IS NOT TO BE COPIED OR USED WITHOUT THE APPROVAL OF MICRO SWITCH.

CHARACTERISTICS WITH ISX1-T BASIC SWITCH INSTALLED		ELECTRICAL DATA		SCALE 2 TO 1
OPERATING FORCE	----- 6 OZ MAX	CONTACT ARRANGEMENT	BREAK DISTANCE	DO NOT SCALE PRINT
RELEASE FORCE	----- 2 OZ MIN			UNLESS OTHERWISE SPECIFIED
DIFFERENTIAL TRAVEL	----- .025 MAX			DIMENSIONS ARE IN INCHES
OVERTRAVEL	----- .015 MIN			TOLERANCES ARE:
				ONE PLACE (.0) ±.030
				TWO PLACE (.00) ±.015
				THREE PLACE (.000) ±.005
				ANGLES ±
				WEIGHT