

MICRO SWITCH

A DIVISION OF MINNEAPOLIS-HONEYWELL REGULATOR COMPANY
 FREEPORT, MINNESOTA
 FED. MFR. CODE 91929

ACTUATOR-SWITCH

CATALOG LISTING

JX-46

JX-46

M

DRAWING NUMBER

X 2 6

X 3 3

ISSUE

3 X 3

REPLACES

RELEASE NO. SR 9213

CHECK

REVISIONS

A CO15829

MBF 17 APRIL 61

B CO22579

OMW 28 APR 67

C CO22579

MBF 19 APR 68

D CO79303

DLT 8 MAR 95

E CO82929

DLT 13 MAY 96

CHECK

CHECK

CHECK

CHECK

CHECK

CHECK

CHECK

CHECK

CHECK

CHECK

CHECK

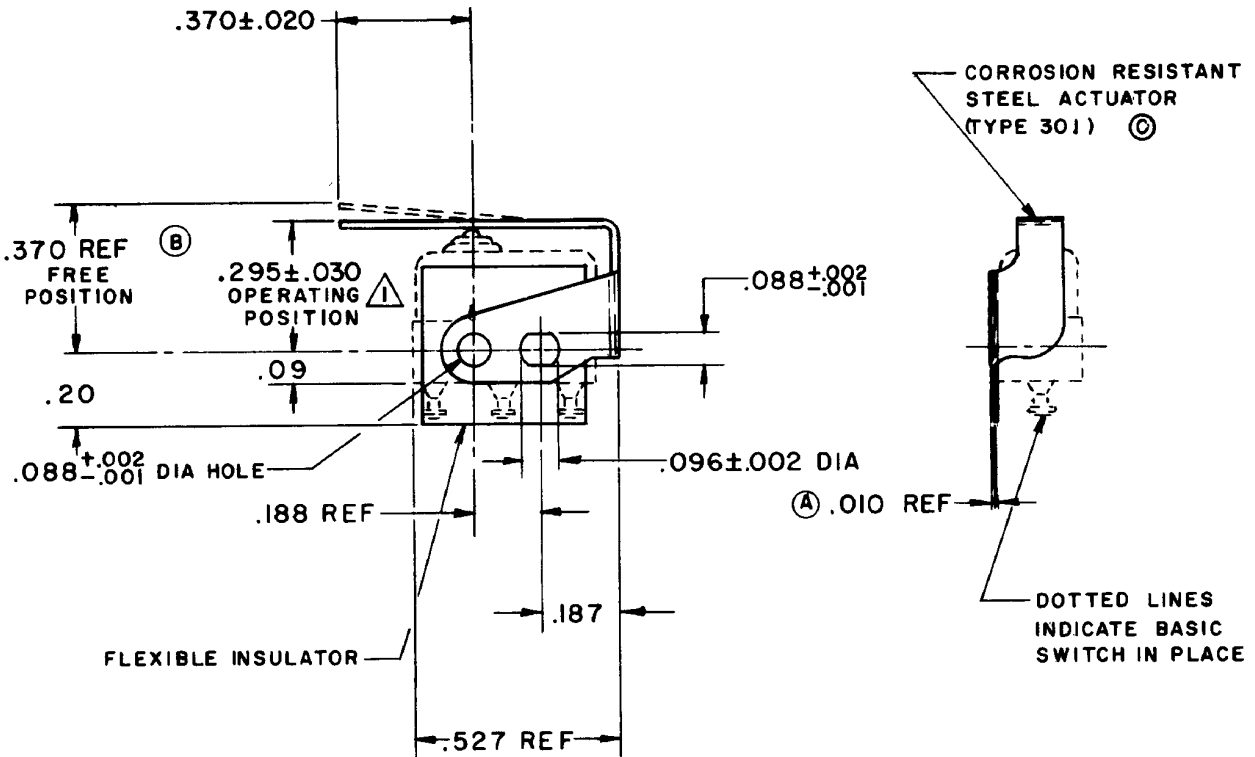
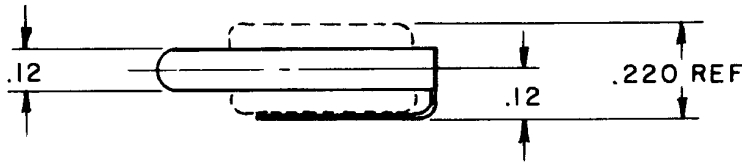
CHECK

CHECK

CHECK

CHECK

CHECK



NOTE -
 ⚠️ SLIGHT ROTATION BETWEEN BASIC AND ACTUATOR MAY BE NECESSARY TO OBTAIN OPERATING POSITION, BASED ON USING NO. 2-56 MOUNTING SCREWS

THIS DRAWING COVERS A PROPRIETARY ITEM AND IS THE PROPERTY OF MICRO SWITCH, A DIVISION OF MINNEAPOLIS-HONEYWELL REGULATOR CO. THIS DRAWING IS NOT TO BE COPIED OR USED WITHOUT THE APPROVAL OF MICRO SWITCH.

CHARACTERISTICS WITH ISXI-T BASIC SWITCH INSTALLED

OPERATING FORCE ----- 6 OZ MAX
 RELEASE FORCE ----- 1 OZ MIN
 DIFFERENTIAL TRAVEL ----- .025 MAX
 OVERTRAVEL ----- .015 MIN

ELECTRICAL DATA

CONTACT ARRANGEMENT BREAK DISTANCE

SCALE 2 TO 1

DO NOT SCALE PRINT

UNLESS OTHERWISE SPECIFIED
 DIMENSIONS ARE IN INCHES
TOLERANCES ARE:
 ONE PLACE (.0) ±.030
 TWO PLACE (.00) ±.015
 THREE PLACE (.000) ±.005
 ANGLES ±

WEIGHT

FC-50378

DRAWN

29 AUG 60

MBF

1 SEPT 60

1 SEPT 60

1 SEPT 60

1 SEPT 60

S