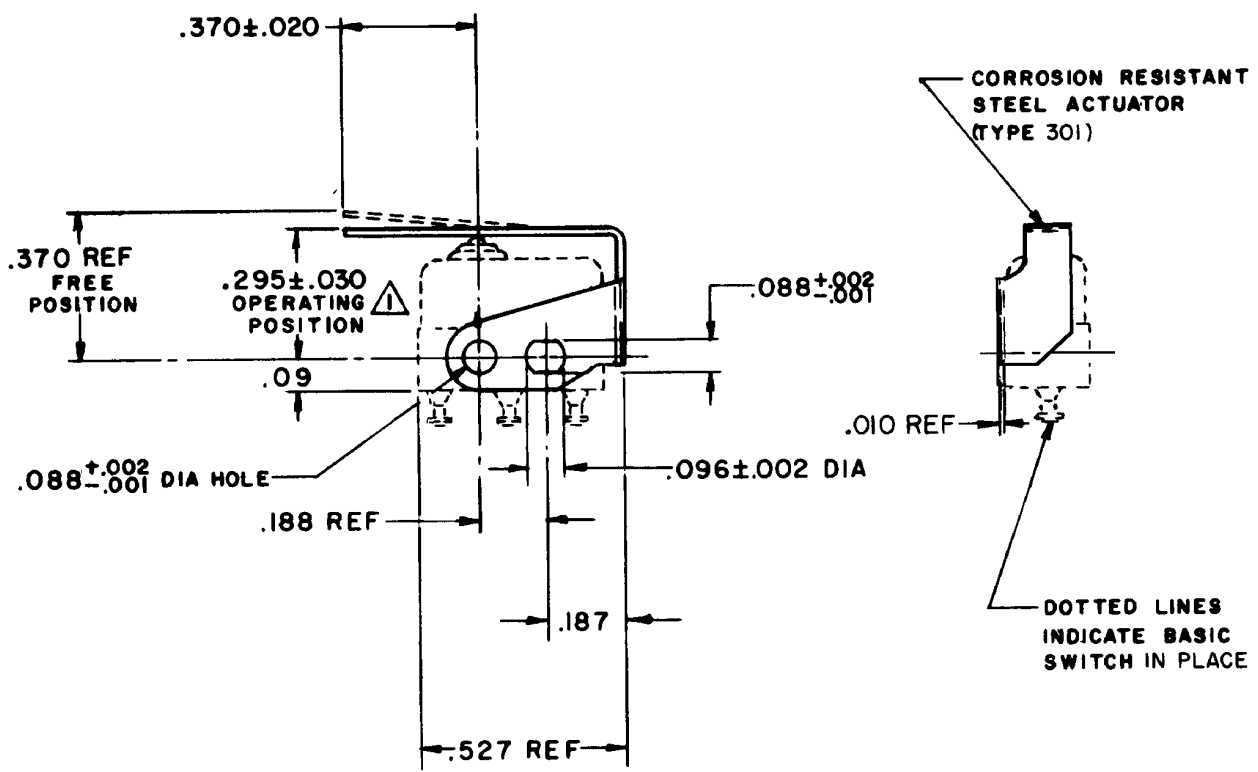
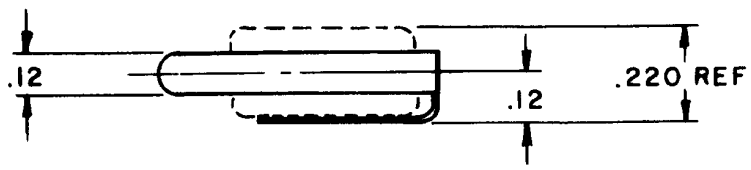


M JX-90
 DRAWING NUMBER
 ISSUE 3
 REVISIONS
 A C082929 DLT 13 MAY 96
 B 0044388 MBN 11 NOV 08
 16 APR 68
 R E R 15 APR 68
 FO-90378

REPLACES
 RELEASE NO. PR-173
 CHECK
 CHECK
 CHECK
 CHECK



NOTE -
 ⚠️ SLIGHT ROTATION BETWEEN BASIC AND ACTUATOR MAY BE NECESSARY TO OBTAIN OPERATING POSITION, BASED ON USING NO. 2-56 MOUNTING SCREWS

RASTER

THIS DRAWING COVERS A PROPRIETARY ITEM AND IS THE PROPERTY OF MICRO SWITCH, A DIVISION OF MINNEAPOLIS-HONEYWELL REGULATOR CO. THIS DRAWING IS NOT TO BE COPIED OR USED WITHOUT THE APPROVAL OF MICRO SWITCH.

CHARACTERISTICS WITH ISKI-T BASIC SWITCH INSTALLED	ELECTRICAL DATA	SCALE 2:1
OPERATING FORCE----- 6 OZ MAX	CONTACT ARRANGEMENT	DO NOT SCALE PRINT
RELEASE FORCE----- 1 OZ MIN		UNLESS OTHERWISE NOTED
DIFFERENTIAL TRAVEL----- .025 MAX		DIMENSIONS ARE IN INCHES
OVERTRAVEL----- .015 MIN		TOLERANCES ARE:
		ONE PLACE (.0) $\pm .030$
		TWO PLACE (.00) $\pm .015$
		THREE PLACE (.000) $\pm .005$
		ANGLES \pm
		WEIGHT