

# MICRO SWITCH

FREEMONT ILLINOIS, U.S.A.  
A DIVISION OF HONEYWELL  
FED. MFG. CODE 91929

# ACTUATOR SWITCH

CATALOG LISTING

## JX - 47

(M) JX - 47  
REPLACES SKETCH 29982

JX-47

M

DRAWING NUMBER

8

9

ISSUE

89

RELEASE NO. PR - 4276

CHECK

CHECK

74

20 AUG 74

20 AUG 74

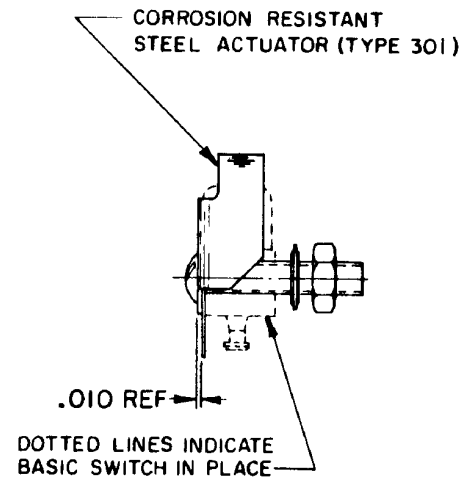
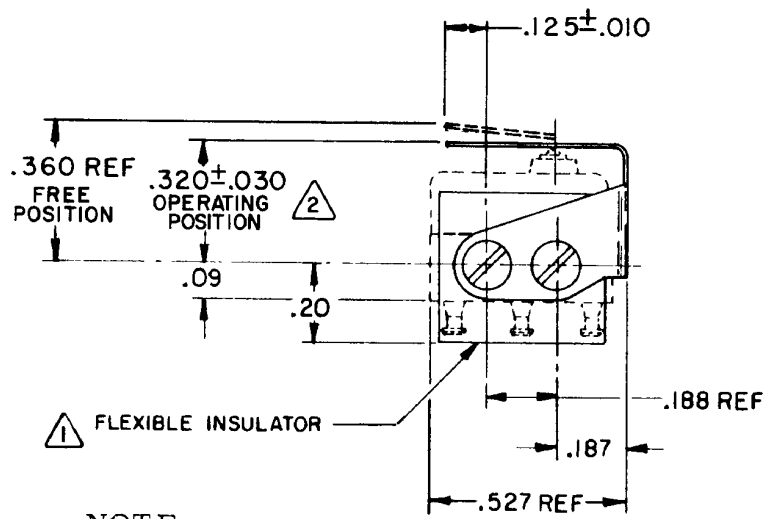
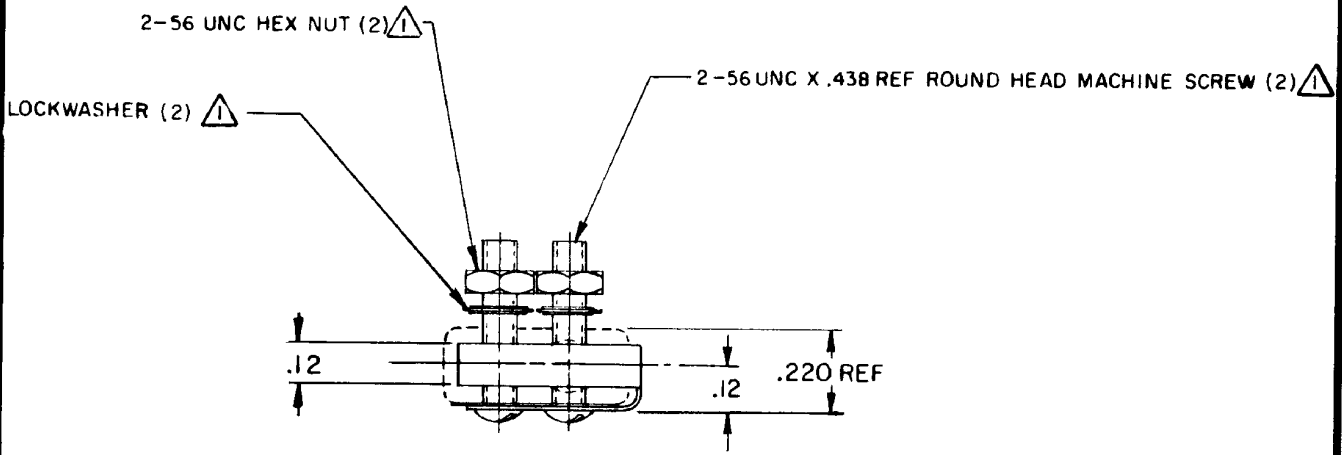
20 AUG 74

20 AUG 74

20 AUG 74

20 AUG 74

20 AUG 74



NOTE

① - SCREWS, NUTS, LOCKWASHERS AND INSULATOR FURNISHED UNASSEMBLED

② - SLIGHT ROTATION BETWEEN BASIC AND ACTUATOR MAY BE NECESSARY TO OBTAIN OPERATING POSITION

THIS DRAWING COVERS A PROPRIETARY ITEM AND IS THE PROPERTY OF MICRO SWITCH, A DIVISION OF HONEYWELL. THIS DRAWING IS NOT TO BE COPIED OR USED WITHOUT THE APPROVAL OF MICRO SWITCH.

THIRD ANGLE PROJECTION

CHARACTERISTICS
OPERATING FORCE --- 7 OZ APPROX
RELEASE FORCE --- 2 OZ APPROX
DIFFERENTIAL TRAVEL --- .030 APPROX
OVERTRAVEL --- .030 MIN

ELECTRICAL DATA
CONTACT ARRANGEMENT

SCALE	2 TO 1		
DO NOT SCALE PRINT			
TOLERANCES			
APPLY TO DESIGN UNITS. CONVERSIONS ARE ONLY FOR REFERENCE UNLESS NOTED. TOLERANCES ARE ±			
DIM.	TOL	DIM	TOL
mm	mm/in	in	mm/in
NO PLACES	X	1/04	
ONE PLACE	X,X	0.4/016	X X 0.8/03
TWO PLACES	X,X,X	0.15/006	X X X 0.38/015
THREE PLACES	X,X,X,X		X X X X 0.13/003
ANGLES			
DESIGN UNITS		SI METRIC	
		US CUSTOMARY	
		<input type="checkbox"/> SI METRIC <input checked="" type="checkbox"/> US CUSTOMARY	
WEIGHT			

FO-52848-A

DRAWN

BEN 17 AUG 74

CHECK DJW 20 AUG 74

CHECK DJW 20 AUG 74

REVISIONS

REV	DATE	BY	DESCRIPTION
A	17 AUG 74	BEN	NEW DWG PR-4276
B	17 MAY 80	CJH	CO47771
C	9 MAR 95	DLT	CO79303
D	13 MAY 98	DLT	CO82924