



MICRO SWITCH

FREEPORT, ILLINOIS, U S A
A DIVISION OF HONEYWELL

FED. MFG. CODE 91829

ACTUATOR - SWITCH

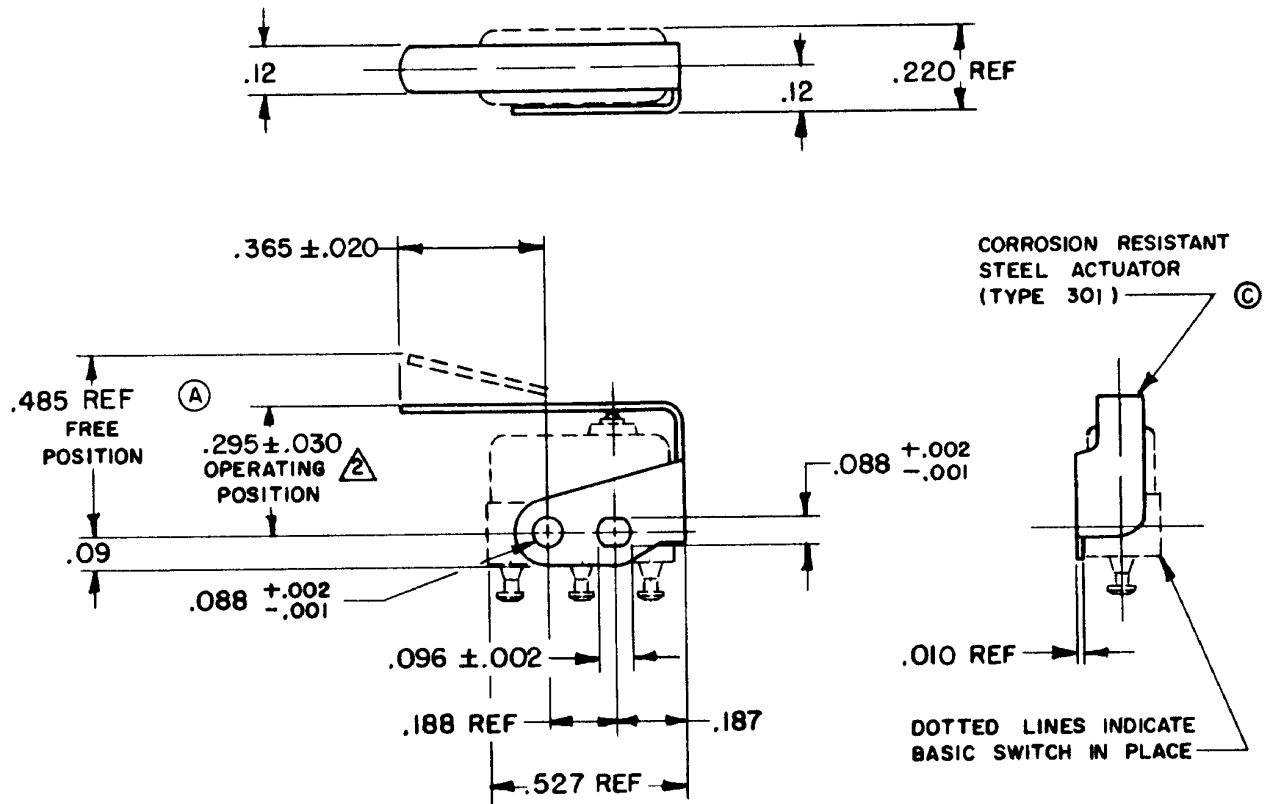
CATALOG LISTING

JX-44-B

JX-44-B
M
 DRAWING NUMBER
26
 ISSUE
X
3
 REVISIONS

| | | | |
|---|---------|-------|-----------|
| A | CO22579 | OMW | 1 MAY 67 |
| B | CO23793 | WEG | 6 FEB 68 |
| C | CO22579 | M B F | 19 APR 68 |
| D | CO30270 | SRH | 29 FEB 72 |
| E | CO82929 | DLT | 13 MAY 96 |

REPLACES
 RELEASE NO. SR 11507
 CHECK
 G4
 24
 BRJ
 24
 LSD
 22 FEB '64
 CHECK
 G4
 24
 J P H
 22 FEB '64
 CHECK
 G4
 24



NOTE -
 1 - FURNISHED BULK PACKED
 2 - SLIGHT ROTATION BETWEEN BASIC AND ACTUATOR MAY BE NECESSARY TO OBTAIN OPERATING POSITION, BASED ON USING NO. 2-56 MACHINE SCREWS

THIS DRAWING COVERS A PROPRIETARY ITEM AND IS THE PROPERTY OF MICRO SWITCH, A DIVISION OF MINNEAPOLIS-HONEYWELL REGULATOR CO. THIS DRAWING IS NOT TO BE COPIED OR USED WITHOUT THE APPROVAL OF MICRO SWITCH.

| | | |
|--|---|---|
| CHARACTERISTICS WITH ISX1-T BASIC SWITCH INSTALLED OPERATING FORCE - - - - - 7 OZ MAX RELEASE FORCE - - - - - 2 OZ MIN DIFFERENTIAL TRAVEL - - - - .025 MAX OVERTRAVEL - - - - - .015 MIN | ELECTRICAL DATA CONTACT ARRANGEMENT | SCALE 2 TO 1 DO NOT SCALE PRINT UNLESS OTHERWISE NOTED DIMENSIONS ARE IN INCHES TOLERANCES ARE: ONE PLACE (.0) ±.030 TWO PLACE (.00) ±.015 THREE PLACE (.000) ±.005 ANGLES ±.005 WEIGHT |
| | | |