

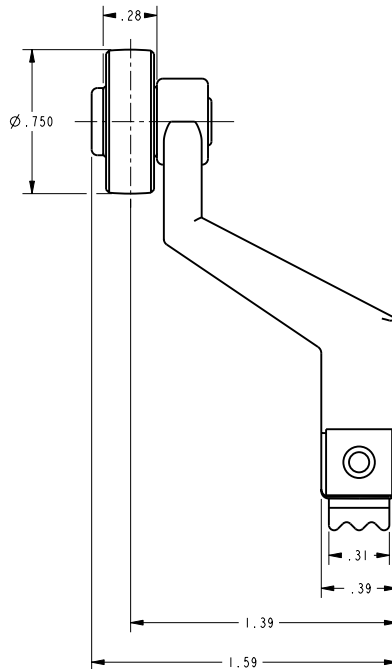
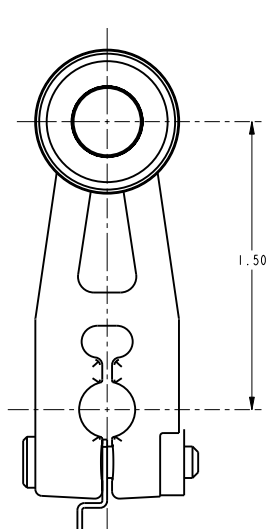
MICRO SWITCH
a Honeywell Division
FED. MFG. CODE 91929

LEVER -
SWITCH ACTUATING

CATALOG LISTING
LSQZ55C259

THIS DRAWING COVERS A PROPRIETARY ITEM AND IS THE PROPERTY OF MICRO SWITCH, A DIVISION OF HONEYWELL. THIS DRAWING IS NOT TO BE COPIED OR USED WITHOUT THE APPROVAL OF MICRO SWITCH

| | |
|-----------------|----------------------|
| PTC/CAD | 30 |
| DRAWN | |
| SAV | 18 FEB 97 |
| CHECK | SAV |
| CHECK | 18 FEB 97 |
| CHECK | SAV |
| REVISIONS | |
| A | 202322 |
| | DPS |
| | FEB 91 |
| ISSUE | 2 |
| CATALOG LISTING | LSQZ55C259 |
| PAGE | 1 OF 1 |
| REPLACES | RELEASE NO. CO-83732 |



| | |
|---|--------------|
| THIRD ANGLE PROJECTION | |
| | |
| SCALE | 2:1 |
| DO NOT SCALE PRINT | |
| UNLESS OTHERWISE SPECIFIED TOLERANCES ARE | |
| ONE PLACE | (.01) +.030 |
| TWO PLACE | (.00) +.015 |
| THREE PLACE | (.000) +.005 |
| ANGLES | ± |
| WEIGHT | |

ANSI Y14.5M-1982 APPLIES