

MICRO SWITCH

A DIVISION OF MINNEAPOLIS-HONEYWELL REGULATOR COMPANY
 FREEPORT, ILLINOIS
 FED. MFR. CODE 91929

ACTUATOR-SWITCH

CATALOG LISTING
JX-43

(M) SKETCH 22429

REPLACES ISSUE 1

JX-43

M

DRAWING NUMBER

7

8

8

8

RELEASE NO. SR-8369

RED 20 JUL 59

CHECK

BTG 14 JAN 59

CHECK

BTG 19 APR 68

CHECK

DLT 8 MAR 95

CHECK

DLT 13 MAY 96

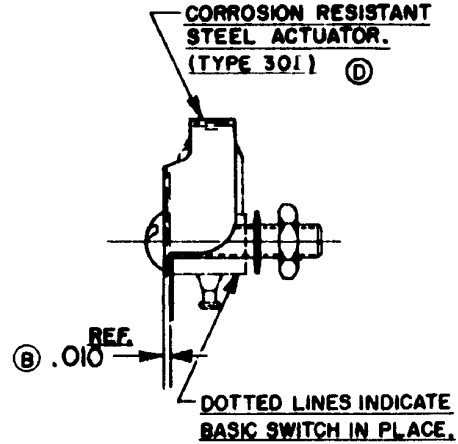
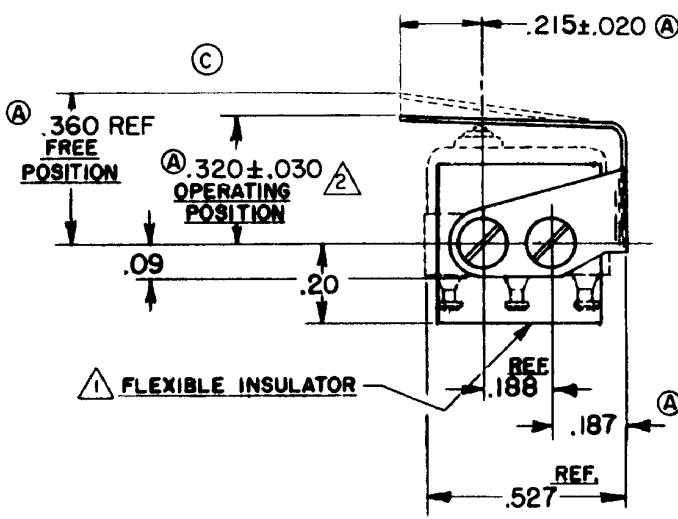
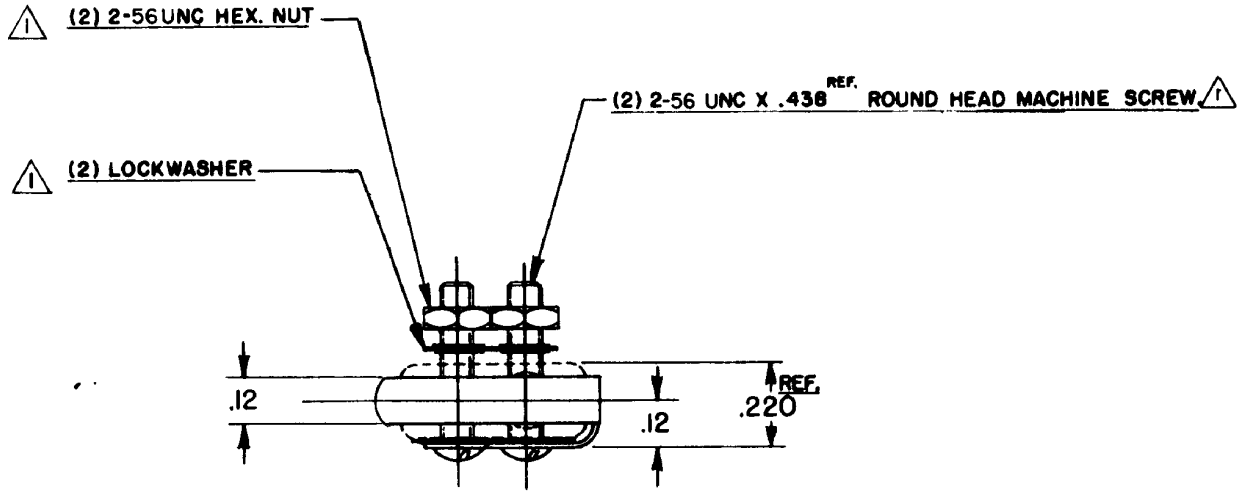
CHECK

13 JAN 59

M.B.F.

REVISIONS

A	SR 8369	L M H	17 JUL 59
B	CO15829	M B F	17 APRIL 61
C	CO22579	OMW	28 APR 67
D	CO22579	M B F	19 APR 68
E	CO47771	C J H	17 MAY 80
F	CO79303	DLT	8 MAR 95
G	CO82929	DLT	13 MAY 96



NOTE-
 ① - FURNISHED UNASSEMBLED
 ② - SLIGHT ROTATION BETWEEN BASIC AND ACTUATOR MAY BE NECESSARY TO OBTAIN OPERATING POSITION

THIS DRAWING COVERS A PROPRIETARY ITEM AND IS THE PROPERTY OF MICRO SWITCH, A DIVISION OF MINNEAPOLIS-HONEYWELL REGULATOR CO. THIS DRAWING IS NOT TO BE COPIED OR USED WITHOUT THE APPROVAL OF MICRO SWITCH.

CHARACTERISTICS WITH 15X1-T BASIC SWITCH INSTALLED

OPERATING FORCE	----- 10 OZ MAX
RELEASE FORCE	----- 1 OZ MIN
DIFFERENTIAL TRAVEL	----- .025 MAX
OVERTRAVEL	----- .010 MIN

ELECTRICAL DATA

CONTACT ARRANGEMENT	BREAK DISTANCE
---------------------	----------------

SCALE 2 TO 1

DO NOT SCALE PRINT
 UNLESS OTHERWISE SPECIFIED
 DIMENSIONS ARE IN INCHES
TOLERANCES ARE:
 ONE PLACE (.0) ±.030
 TWO PLACE (.00) ±.015
 THREE PLACE (.000) ±.005
 ANGLES ±
WEIGHT