

Back

- o Flat Cable Connectors SEK
- o *har-mik®*
- o D-Sub
- o InduCom


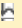
➤ Applications

## Product details

### 09 38 006 2701 Female insert, Han K 4/2

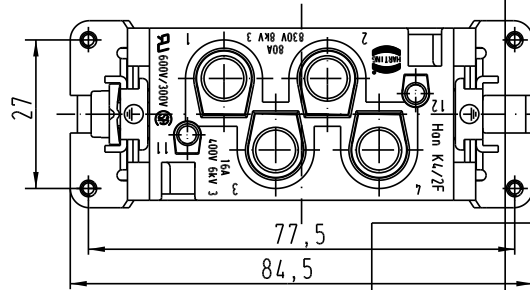
Series	Han-Com®
Number of contacts	4+2 poles + PE
Size of hood/housing	Han® 16 B
Termination	Screw termination
Insert material	Standard material
Contacts	Inclusive
Electrical data	80 A 830 V 8 kV 3
Electr. data for signal area	16 A 400 V 6 kV 3
RoHS compliant	Yes

#### Available Downloads

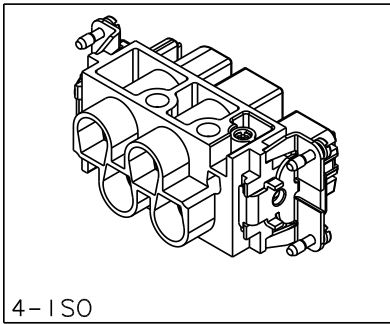
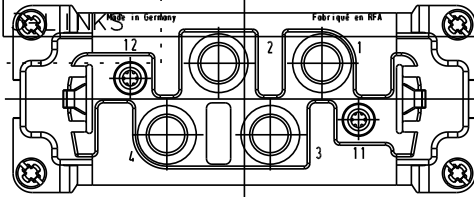
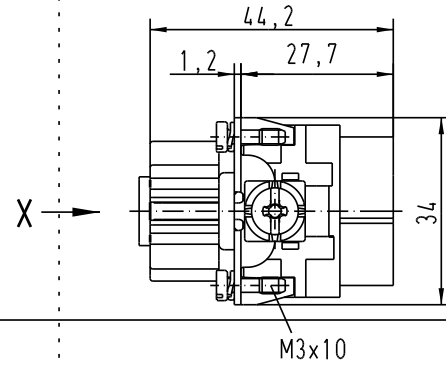
Title	Format	
Data sheet	PDF	 download
CAD data 2D	DXF	 download

Inquiry



Alle Rechte vorbehalten / All rights reserved



2-VORDERANSICHT



4-ISO

 All Dimensions in mm Original		Techn. Character. Original <b>EXPLICIT</b>			Nicht tolerierte Masse / free size tolerances	
			Dat.	Name	Massstab/Scale  <b>1:1</b>	<b>Han K4/2-F</b> Buchseneinsatz / female insert
411939	04.01.06	Ho	Detail.	12.02.93 PENNER		
411808	19.09.05	Ho	Insp.	HERB		
411737	04.08.05	Loe.	Stand.			
410885	11.02.04	Ho				
27361	15.05.00	Gö				
Mod.	Dat.	Name	HARTING Electric GmbH & Co. KG D-32339 Espelkamp			<b>TB 09 38 006 2701</b>
						Sub. TB 09 38 006 2701 v. 13.04.89