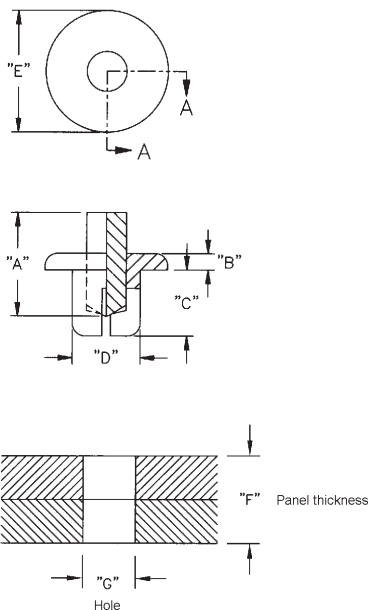


Part No.	RMS	"G" mm	"F" Panel thickness mm	"A" mm	"B" mm	"C" mm	"D" mm	"E" mm
PPR-3055	28	3.1	3.0 - 4.1	8.9	2.0	5.6	3.0	5.8
PPR-5050			2.0 - 3.0	9.4		5.1		8.0
PPR-5060		5.1	3.0 - 4.1	9.4	2.8	6.1	5.0	9.4
PPR-5070			4.1 - 5.1	10.7		7.1		
PPR-5080			5.1 - 6.1	11.4		8.1		
PPR-5090			6.1 - 7.1	12.4		8.9		
PPR-6060	13	6.1	2.5 - 4.1	9.4	1.5	6.1	6.0	10.9
PPR-4850	28	4.8	1.3 - 3.0	10.4	3.3	5.1	4.8	9.9



PPR
PUSH RIVET



Material: Nylon 6 - black, UL 94 V-2, RMS-28 and Polyethylene - black, RMS 13 (only PPR 6060)
 Std. Pk.: 1.000 pcs.

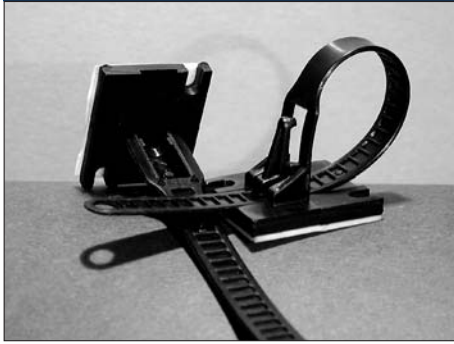
Note:

PPR	3055	W or B
Part	Size	Colour

A Touch of Magic!

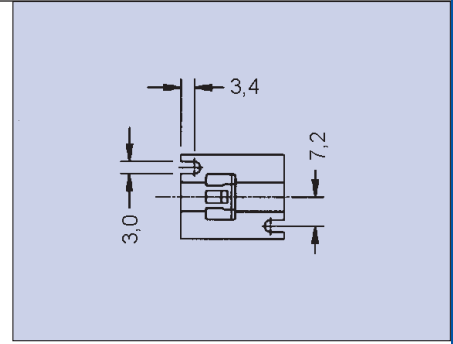
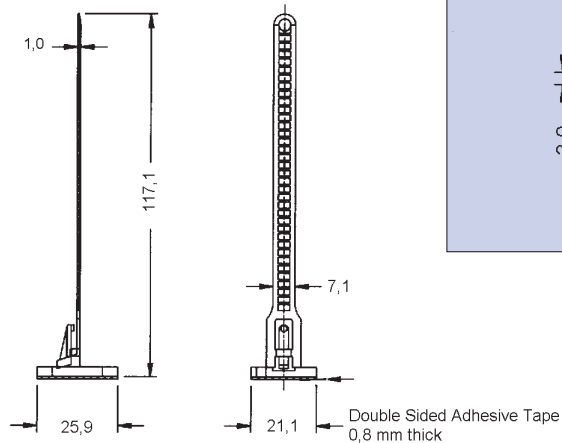


CABLE TIES AND ACCESSORIES



TOBS-18-01A-RT

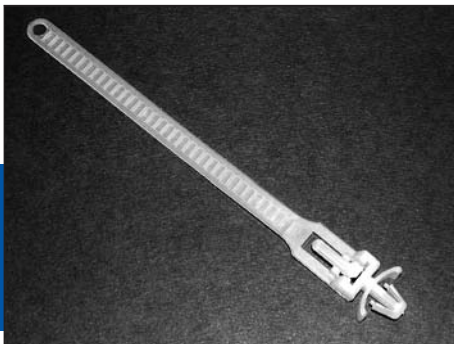
TIE ON BASE



Note:

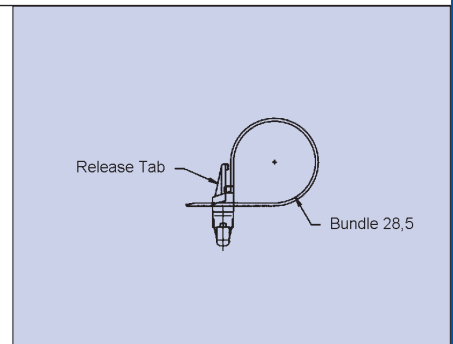
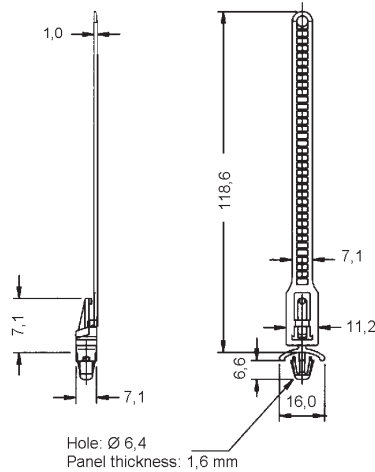
TOBS	18	01	A-RT
Part	Size	Material Code	with Tape

Material: Nylon 6/6 - black, UL 94 V-2, RMS-01
Std. Pk.: 1.000 pcs.



TOAH-18-01

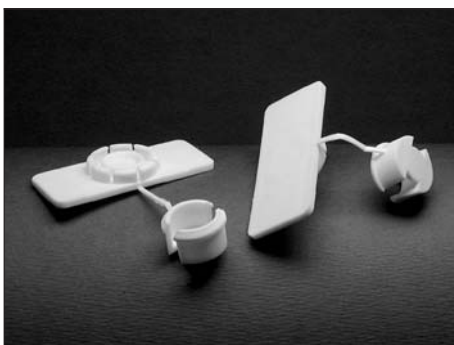
TIE ON ARROW HEAD



Note:

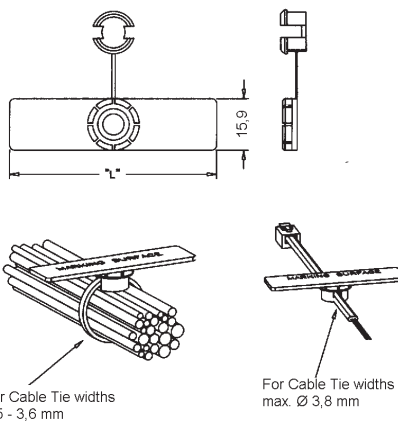
TOAH	18	01
Part	Size	Material Code

Material: Nylon 6/6 - natural, UL 94 V-2, RMS-01 by special order:
Nylon 6/6 - black, UL 94 V-2, RMS-01
Std. Pk.: 1.000 pcs.



CMT

CABLE MARKER TIE



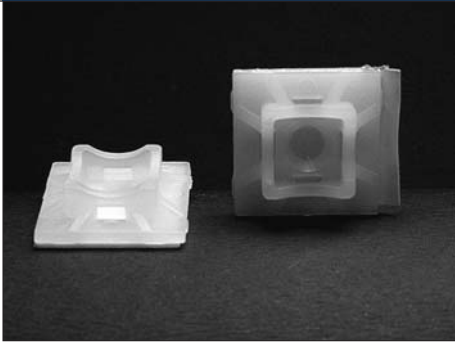
Part No.	"L" mm
CMT-150-XX	38,1
CMT-200-XX	50,8
CMT-250-XX	63,5

Colour Code Guide	
Colour	Code
orange	OR
yellow	YL
white	WH
blue	BL

Note:

CMT	150	OR
Part	Type	Colour

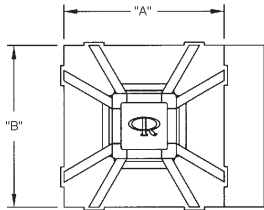
Material: Polypropylene, UL No. 51346, RMS-124
Std. Pk.: 100 pcs.



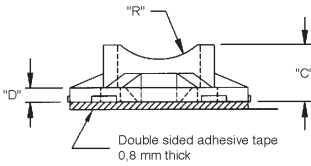
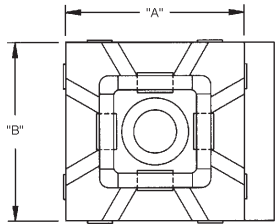
FTH/MFTH
FLAT TIE HOLDER

Part No.	Style	max. Tie width mm	"A" mm	"B" mm	"C" mm	"D" mm	"R" mm	
MFTH-2-01 MFTH-2-01A-RT	1	2.5	12.7	12.7	3.5	0.8	3.2	
FTH-5-01 FTH-5A-RT	2	2.5-3.6	19.1	19.1	6.1	1.5	6.4	
FTH-4-01 FTH-4A-RT	3							25.4
FTH-7-01 FTH-7A-RT	2	4.8	38.1	38.1	6.4	2.0	9.5	
FTH-8-01 FTH-8A-RT	4	4.8-7.8						50.8
FTH-10-01			11.1					
FTH-10A-RT								

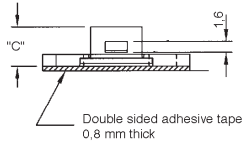
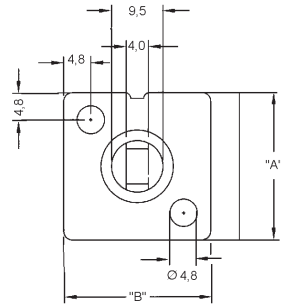
STYLE 1



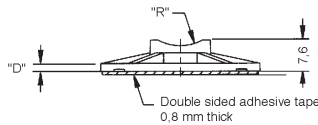
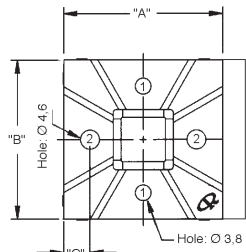
STYLE 2



STYLE 3



STYLE 4



Material: Nylon 6/6 - natural, UL 94 V-2, RMS-01
by special order:
Nylon 6/6 - black, UV stabilized,
UL 94 V-2, RMS-46

Adhesive Tape: Working temperature -20°C - +50°C
Std. Pk.: 1.000 pcs.

Note:

MFTH	2	01	A-RT
------	---	----	------

 Part Size Material Code with Tape