

HBL2613 -- Twist-Lock Connector Body



2P3W, 30A 125V, L5-30R, Hi-Temp, Gray Nylon, 220° F / 104° C.

Product Specifications

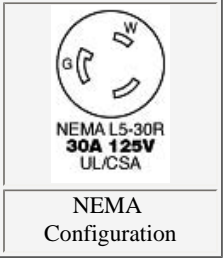
Product Type



**Twist-Lock
Devices**

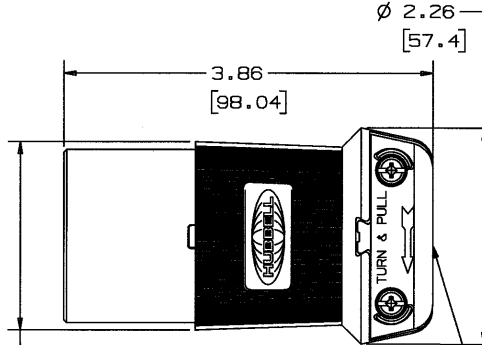
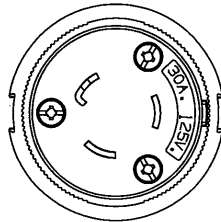
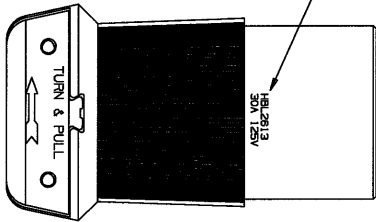
Product Item	Connector Body
Wiring Scheme	2 Pole, 3 Wire Grounding
Amperage	30A
Voltage	125V AC
NEMA Configuration	L5-30R
Item Style	Insulgrip
Device Color	Black/White
Cord Dia.	.360"-.930" (9-24)
Terminal Retainer Material	Clear polycarbonate
Housing Material	Black nylon
Cord Clamp Material	Natural (white) nylon
Terminal Clamp Material	.08" (2) steel-nickel plated
Terminal Screw Material	#10-32 Brass (white finish on neutral screw when used) Multi-drive
Ground Screw Material	#10-32 Brass (green finish) Multi-drive

Cord Clamp Screw Material	Steel, zinc plated Multi-drive
Body Holding Screw Material	Steel, zinc plated Multi-drive
Body Contact Carrier Material	Natural White Nylon
Contact Spring Material	Brass
Spring Binding Plate Material	Brass
Ground Contact Material	.031" (.8) Brass
Ratings	Molded into face.
Catalog No.	Permanently ink marked on body.
Dielectric Voltage Withstand	2,000V minimum
Current Interrupting	Certified for current interrupting at full rated current.
Temperature Rise	Max 30 C temperature rise at full rated current after 50 cycles of overload at 150% of rated current at a power factor of .75.
Cord Accommodation	Round portable service cords of diameters commensurate with the device rating as defined in UL Standard 62, CSA C22.2 No. 49.
Terminal Accommodation	30A #10 AWG
Terminal Identification	Terminals identified in accordance with UL 498 (X, Y, Z, White, Green)
Flammability	HB or better per UL 94 or CSA 22.2 No. 0.6
Operating Temperatures	Maximum Continuous 75 C Minimum -40 C (w/o impact)
Moisture Resistance	IP20
Listings	FED SPEC UL/CSA
M Drawings	Click here for M-Drawing
Catalog Page	Click here for catalog page B27
Brochures	Click here for product brochure
Hubbellnet	Click here for Hubbellnet
Catalog Section	Click here for Section-B
UPC Number	78358503876
Weight in LBS	0.3



M-7903 6

CAT NO. & RATING PRINTED ON CONTACT BODY, COLOR CODE BY VOLTAGE



CORD CLAMP RANGE
 ϕ .360 - .930
 [9.14 - 23.62]

CORD RANGE:
 14/3 - 10/3 TYPE SJ
 16/3 - 8/3 TYPE S

NOTE:
 ALL SCREWS ARE COMBINATION PHILLIPS/SLOTTED/ROBERTSON HEAD.

NEMA NO.	RATING	POLE/WIRE GROUNDING	CAT NO.	CORROSION** RESISTANT	VOLTAGE COLOR CODE	UL	CSA	FED SPEC
L5-30R	125V	2P/3W GROUNDING	HBL2613 HBL2613F HBL2613BK <input type="checkbox"/>	HBL26CM13	YELLOW	YES	YES	YES
L6-30R	250V	2P/3W GROUNDING	HBL2623 HBL2623BK <input type="checkbox"/>	HBL26CM23	BLUE	YES	YES	YES
L7-30R	277VAC	2P/3W GROUNDING	HBL2633	-----	GRAY	YES	YES	YES
L8-30R	480VAC	2P/3W GROUNDING	HBL2643	-----	RED	YES	YES	YES
L9-30R	600VAC	2P/3W GROUNDING	HBL2653	-----	BLACK	YES	YES	YES

CODE 74545

LEGEND: IN. [mm]

LIST OF PARTS

DESCRIPTION	MATERIAL	FINISH
COVER	NYLON	BLACK
CORD CLAMP	NYLON	NATURAL
CONTACT BODY	NYLON	NATURAL
RETAINER	POLY CARBONATE	CLEAR
CONTACTS	.031/.040 BRASS	
WIRE CLAMP	.080 CRS	NICKEL PLATE
#10 TERMINAL SCREWS	BRASS	<input type="checkbox"/>
#10 GROUND SCREW	BRASS	GREEN
ASSEMBLY FASTENERS	STEEL	ZINC PLATE

- WHITE FINISH ON NEUTRAL CONTACT WHEN USED.
- CM DEVICES SAME AS ABOVE EXCEPT: COVER & CORD CLAMP YELLOW TERMINAL SCREWS & CONTACT-NICKEL PLATED WIRE CLAMPS - BRASS, NICKEL PLATE ASSEM FASTENERS - STAINLESS STEEL
- BK DEVICES ARE SAME AS ABOVE EXCEPT ALL BLACK

SYM	REVISIONS	APP	DATE
6	REMOVED TOLS. FROM DIMS.; ADDED CORD RANGE & DIAMETER RANGE TO "CORD CLAMP" CALLOUT PER DCN 11902 RCM	JPP	1/8/05

THE DESIGN AND DIMENSIONS OF THE PRODUCT SHOWN ON THIS DRAWING ARE SUBJECT TO CHANGE WITHOUT NOTICE

TITLE 30A 3-WIRE TWIST-LOCK CONNECTOR

TOLERANCES UNLESS OTHERWISE SPECIFIED	WIRING DEVICE-KELLEMS HUBBELL INCORPORATED BRIDGEPORT, CT	
FRACTIONS N/A	DR. BY B.C.	APP. BY Z1MM
DECIMALS N/A	TR. BY	SCALE NONE
ANGLES N/A	CHK'D BY Z1MM	DATE 03/02/98

DIMENSION SHEET FOR CAT. NO. M-7903
 REPAIRABLE NON-REPAIRABLE

TWIST-LOCK® Devices

2 Pole, 3 Wire Grounding

30 Ampere, 125, 250 Volts and 277 Volts AC

Receptacles, INSULGRIP® Connector Bodies, Flanged Devices and Plugs



NEMA L5-30R
30A 125V
UL/CSA
2 HP



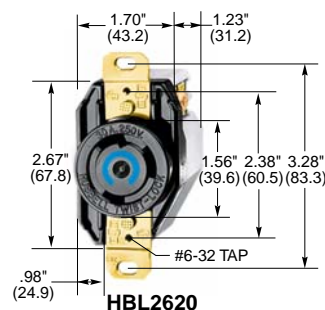
NEMA L6-30R
30A 250V
UL/CSA
2 HP



NEMA L7-30R
30A 277V AC
UL/CSA
3 HP

Single Flush Receptacles, Back and Side Wired

Description	Catalog Numbers		
Black nylon face.	HBL2610	HBL2620	HBL2630
Isolated ground, orange nylon face.	IG2610	IG2620	-
Corrosion resistant, yellow nylon face.	HBL26CM10		-



Insulgrip Connector Bodies IP20 SUITABILITY

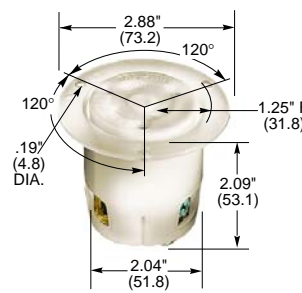
Description	Catalog Numbers		
Black and white nylon.	HBL2613	HBL2623	HBL2633
Heat stabilized, gray nylon, 220° F (104° C).	HBL2613F	HBL2623F	-
Corrosion resistant, yellow nylon.	HBL26CM13	HBL26CM23	-

Note: Cord clamp range .360"-.930" (9-24).



Insulgrip Flanged Receptacles

Description	Catalog Numbers		
Nylon casing, back wired.	HBL2616	HBL2626	HBL2636
Heat stabilized, gray nylon, 220° F (104° C).	HBL2616F	HBL2626F	-



Insulgrip Plugs IP20 SUITABILITY

Description	Catalog Numbers		
Black and white nylon.	HBL2611	HBL2621	HBL2631
Heat stabilized, gray nylon, 220° F (104° C).	HBL2611F	HBL2621F	-
Corrosion resistant, yellow nylon.	HBL26CM11	HBL26CM21	-

Notes: Cord clamp range .360"-.930" (9-24).

See page B-73 for Add-A-Shroud™ kit.



Insulgrip Flanged Inlets

Description	Catalog Numbers		
Nylon casing, back wired.	HBL2615	HBL2625	HBL2635
Heat stabilized, gray nylon, 220° F (104° C).	HBL2615F	HBL2625F	-

Notes: All HP ratings are AC only. Only receptacles and plugs are HP rated.

For technical information see page B-83.

For accessories see pages B-68 and B-69.

See page B-63 for switched enclosure.

