

[HOME](#)[LOG IN](#)[YOUR CART](#)[CHECK OUT](#)[SERVICE](#)[ABOUT US](#)[Advanced](#)

New Item

SOS TurboFlare

Custom Cable Assemblies

Build Your Own Cable!

Cable Assemblies

Unshielded Jumpers

Shielded Patch Cords

Power_Cords

Mini_DIN

Coaxial

Audio_Extension

Connectors

RCA

UHF_Coaxial

Standard_MIC

Primary_Power_Receptacles

Miniature_Audio

Gold_Audio

DC_Power

Jacks and Plugs

Test_Probes

Phono_Plugs

Phono_Jacks

Phone_Plugs_Subminiature

Phone_Plugs_Standard

Phone_Plugs_Miniature

Phone_Jacks_Subminiature

Phone_Jacks_Standard

Phone_Jacks_Miniature

Phone_Jacks_In-Line

DIN_Receptacles

DIN_Plugs

Binding_Posts

Phone_Jacks_Miniature

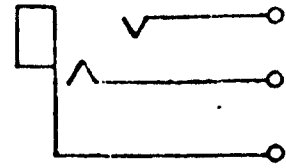
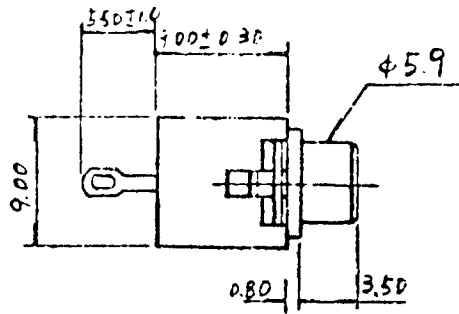


"3 cond. open circuit, stereo"

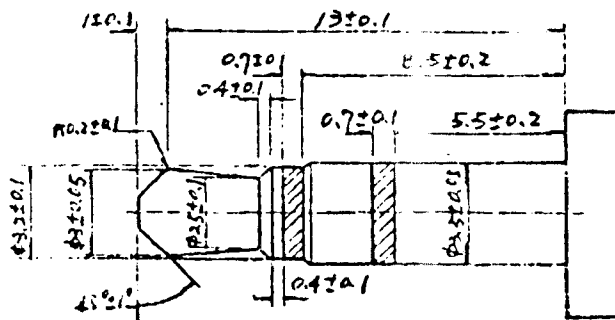
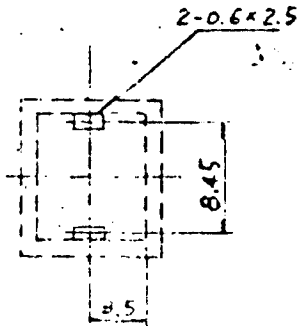
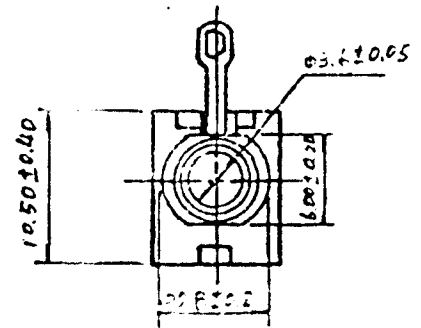
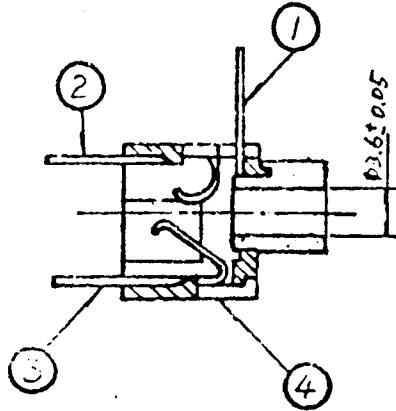
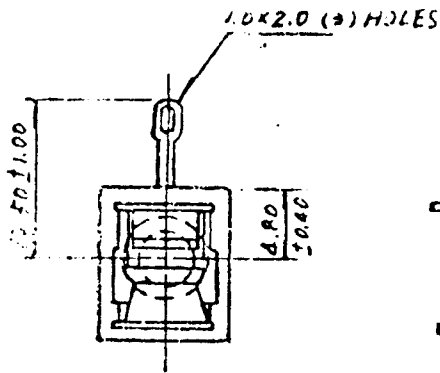
[View schematic](#)

Quantity:

Nickel-plated brass and brass springs for long life and trouble free plug mating. Extra heavy duty insulators prevent breakdowns.



JACK CIRCUIT



P3.5 MATE PLUG

ALECTRON CORPORATION
935 N. MAIN
FT. WORTH, TX 76106
(817) 626-8999

ALECTRON PART NO. 231-3352
3.5MM PHONE JACK
(JY-3501-020-030)