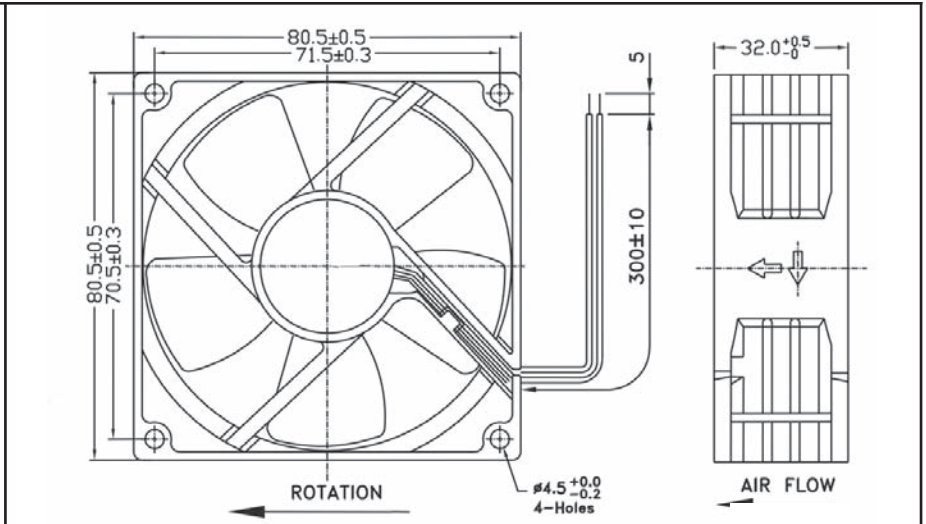


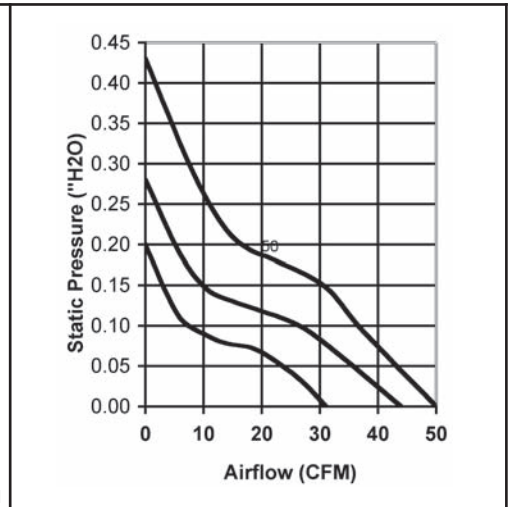
OD8032 Series



DC Fan - 12, 24, 48V
80x32mm (3.15"x 1.25")



Frame & Impeller	PBT, UL94V-O plastic	Available Options: Tachometer (FG) Alarm (RD) Thermal Speed Control (Thermistor) PWM Input Life Expectancy (L10) Ball Bearing 60,000 hours (L10 at 40C) Sleeve Bearing 30,000 hours (L10 at 40C) Operating Temperature Ball Bearing -20C ~ +80C Sleeve Bearing -10C ~ +50C
Connection	2x Lead wires	
Motor	Brushless DC, auto restart, polarity protected	
Bearing System	Dual Ball or Sleeve	
Insulation Resistance	10M ohm between leadwire and frame (500VDC)	
Dielectric Strength	1 second at 500 VAC, max leakage - 500 MicroAmp	
Storage Temperature	-30C ~ +90C	



Model Number	Speed (RPM)	Airflow (CFM)	Noise (dB)	Volts DC	Voltage Range	Amps	Max. Static Pressure (\"H2O)
OD8032-12H*	3800	50	40	12	8~17	0.55	0.43
OD8032-12M*	3400	44	36	12	8~17	0.45	0.28
OD8032-12L*	3000	40	31	12	8~17	0.35	0.20
OD8032-24H*	3800	50	40	24	12~30	0.38	0.43
OD8032-24M*	3400	44	36	24	12~30	0.28	0.28
OD8032-24L*	3000	40	31	24	12~30	0.23	0.20
OD8032-48H*	3800	50	40	48	24~56	0.16	0.43
OD8032-48M*	3400	44	36	48	24~56	0.10	0.28
OD8032-48L*	3000	40	31	48	24~56	0.08	0.20

* Indicate "B" to specify Ball bearing or "S" to specify Sleeve bearing