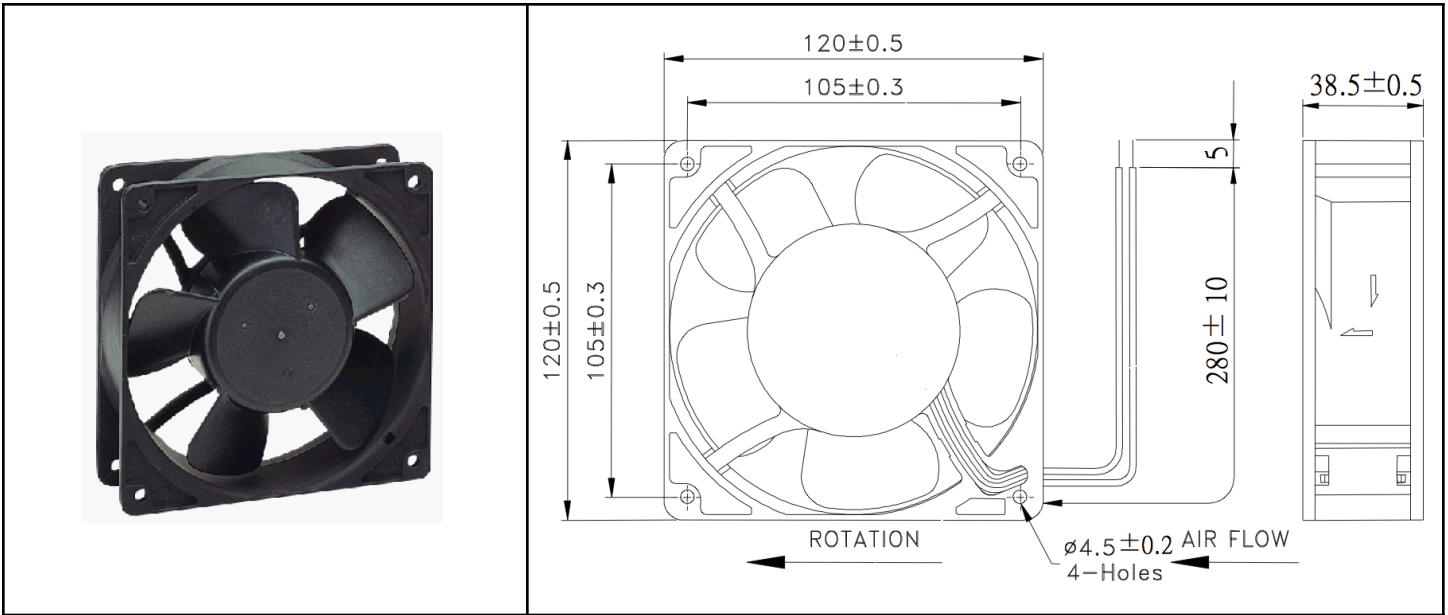


OD1238 Series



DC Fan
120x38mm (4.7"x 1.5")



| | | | |
|-----------------------|---|--|--|
| Frame & Impeller | PBT, UL94V-O plastic | Available Options Tachometer, Alarm, Thermal control IP55 Sleeve Bearing | |
| Connection | 2x Lead wires 24AWG | | |
| Motor | Brushless DC, auto restart, IC protected | | |
| Bearing System | Dual ball bearing | | |
| Insulation Resistance | 10M ohm between leadwire and frame (500VDC) | | |
| Dielectric Strength | 1 second at 500 VAC, max leakage - 500 MicroAmp | | |
| Temperature Range | -10C ~ +70C | | |
| Life (L10) | 65,000 hours (45C) | | |

| Model Number | Speed (RPM) | Airflow (CFM) | Noise (dB) | Volts DC | Input Power (Watts) | Amps | Max. Static Pressure ("H2O) |
|--------------|-------------|---------------|------------|----------|---------------------|------|-----------------------------|
| OD1238-12HB | 2800 | 105 | 43 | 12 | 6 | 0.50 | 0.24 |
| OD1238-12MB | 2540 | 95 | 41 | 12 | 4 | 0.35 | 0.23 |
| OD1238-12LB | 1950 | 73 | 33 | 12 | 3 | 0.24 | 0.13 |
| OD1238-12LLB | 1500 | 53 | 27 | 12 | 2 | 0.16 | 0.09 |
| OD1238-24HB | 2800 | 105 | 43 | 24 | 7 | 0.32 | 0.24 |
| OD1238-24MB | 2540 | 95 | 41 | 24 | 6 | 0.23 | 0.23 |
| OD1238-24LB | 1950 | 73 | 33 | 24 | 4 | 0.14 | 0.13 |