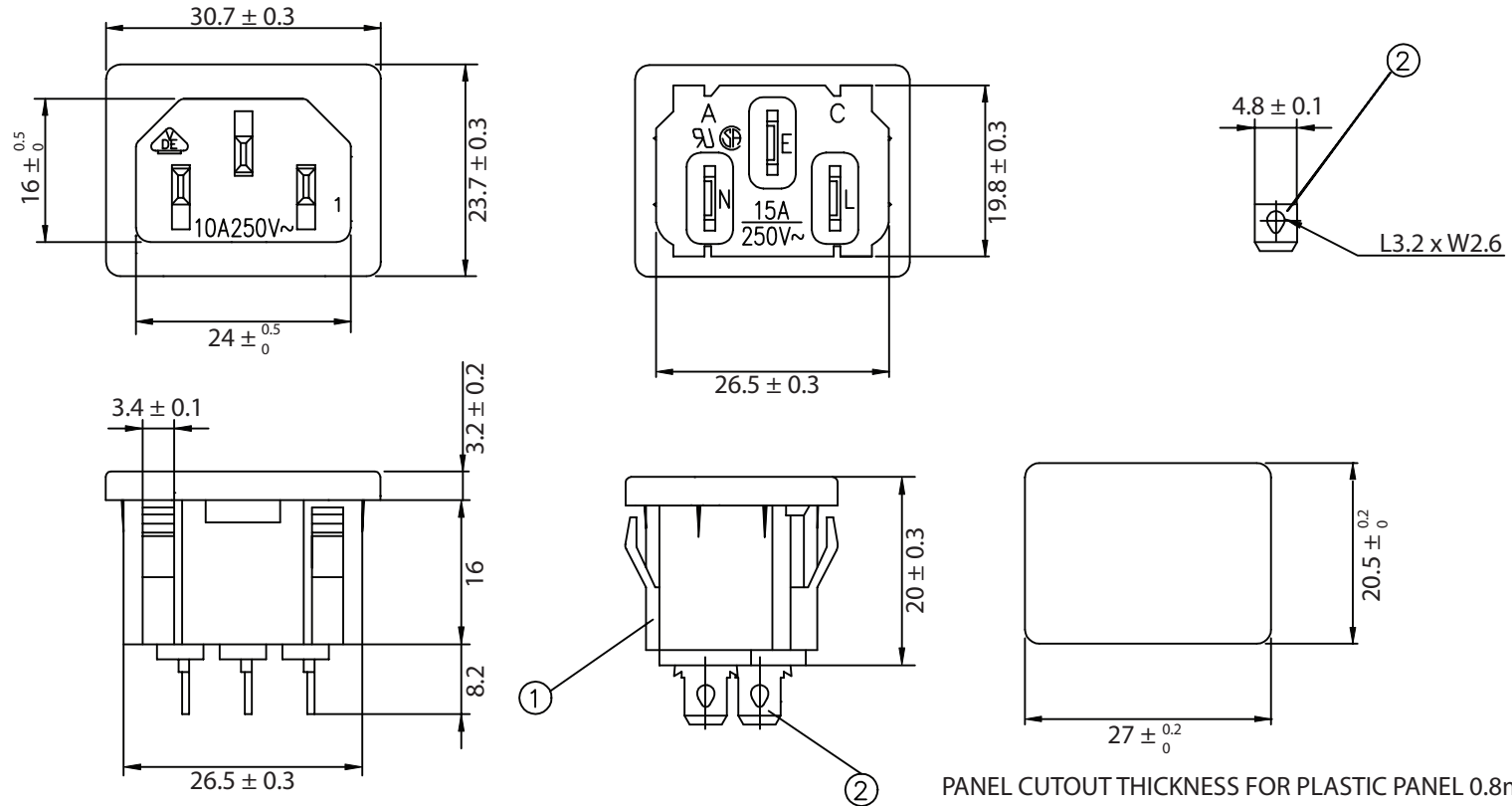


THESE DRAWINGS ARE THE PROPERTY OF QUALTEK ELECTRONICS AND NOT TO BE REPRODUCED FOR OR COMMUNICATED TO A THIRD PARTY WITHOUT THE EXPRESS WRITTEN PERMISSION OF AN OFFICER OF QUALTEK ELECTRONICS.

REVISION			
REV.	DESCRIPTION	DATE	APPROVED
B	RoHS Compliancy	06-01-06	DP
C	Updated Dimensions	06-30-08	DP



PANEL CUTOUT THICKNESS FOR PLASTIC PANEL 0.8mm~1.5mm  
PANEL CUTOUT THICKNESS FOR STEEL PANEL 0.8mm~2.0mm

**CONTROLLED**

NOTES:

MATERIAL:

HOUSING: THERMOPLASTIC  
TERMINAL: COPPER ALLOY

RATING:

UL, CSA: 15A 250V AC  
VDE: 10A 250V AC  
INSULATION RESISTANCE: OVER 100 OHM 500V DC  
DIELECTRIC RESISTANCE: 2000V AC ONE MINUTE  
APPROVALS: UL, CSA, VDE  
RoHS COMPLIANT

2	Terminal Set COPPER ALLOY Tin-Plated	3
1	Housing SNAP-IN TYPE	1
		<b>Qualtek Electronics Corp.</b> PPC DIVISION
Dim range (mm)	Tolerance +/- (mm)	Part Number: <b>701W-X2/03</b> <span style="border: 1px solid green; padding: 2px;">RoHS Compliant</span>
0-1	0.15	Description: <b>AC RECEPTACLE</b>
1-6	0.20	
6-18	0.30	UNIT: mm
18-50	0.50	
50-120	0.70	REV. C
120-250	0.90	Drawn / Date
250-500	1.20	Checked / Date
		Approved / Date
		B.Zhang 05-24-05
		05-24-05
		JJH / 05-24-05