



# International Components Corporation

Tel: 631-952-9595 • 800-645-9154 • Fax: 631-952-9597 • Email: oemsales@icc107.com



## SHIELDED LOW LEAKAGE OVAL SPEAKER

**Part Number: S20X35VFS-5W**

<b>MODEL NUMBER</b>	<b>S20X35VFS-5W</b>
<b>FRAME DIAMETER (MM)</b>	<b>50 x 90</b>
<b>FRAME DEPTH (MM)</b>	<b>41.6</b>
<b>MATERIAL: CONE / FRAME</b>	<b>PAPER / METAL</b>
<b>MAGNET TYPE</b>	<b>FERRITE</b>
<b>MAGNET: SIZE (MM) / WEIGHT (OUNCES/GRAMS)</b>	<b>32 x 18 x 6 - 0.65 / 16.49</b>
<b>RATED POWER (WATTS): Nom. / Max.</b>	<b>5 / 7</b>
<b>VOICE COIL IMPEDANCE (OHMS)</b>	<b>8 ± 15% @ 600 Hz 1V</b>
<b>RESONANT FREQUENCY (Hz) Without Baffle</b>	<b>200 ± 20%</b>
<b>FREQUENCY RESPONSE (Hz)</b>	<b>Fo - 20,000 ± 20 dB</b>
<b>OUTPUT SOUND PRESSURE LEVEL (S.P.L.)</b>	<b>90 ± 2 dB</b>
<b>MEASURED AT:</b>	<b>1W @ 100CM</b>
<b>MEAN VALUE AT:</b>	<b>500, 600, 800, 1K Hz</b>
<b>OPERATION (MUST BE NORMAL)</b>	<b>PROGRAM SOURCE 1 W</b>
<b>BUZZ &amp; RATTLES (MUST BE NORMAL)</b>	<b>MUST NOT BE PRESENT @ 6.3V CONSTANT</b>
<b>DISTORTION @ RATED POWER INPUT</b>	<b>5% MAXIMUM @ 600 Hz 2 W 100 CM</b>
<b>LOAD TEST (WHITE NOISE)</b>	<b>2 W 8 HRS - USE EIA FILTER</b>
<b>HUMIDITY TEST*</b>	<b>40°C 90~95% R.H. 8 HRS</b>
<b>HEAT TEST*</b>	<b>70°C - % R.H. 8 HRS</b>

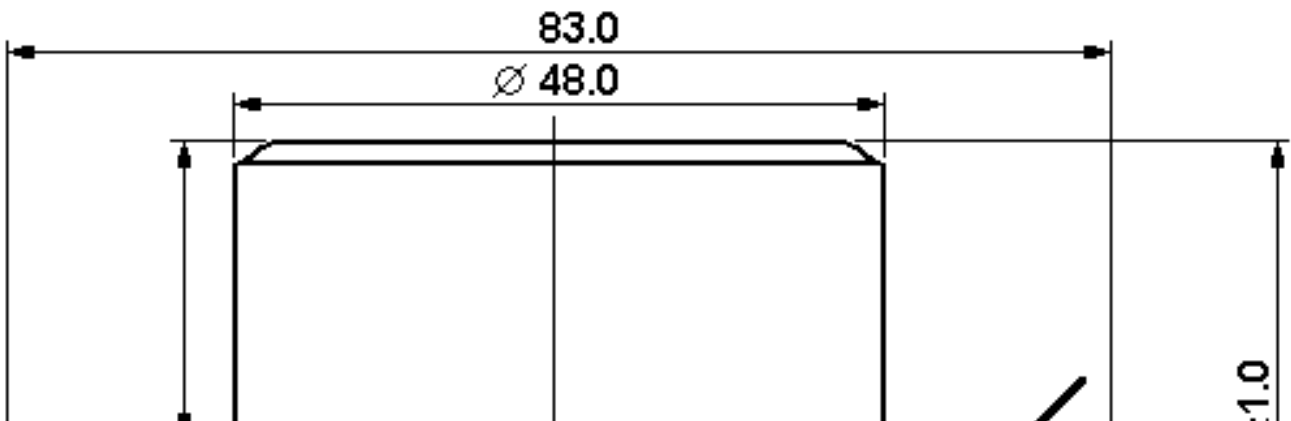
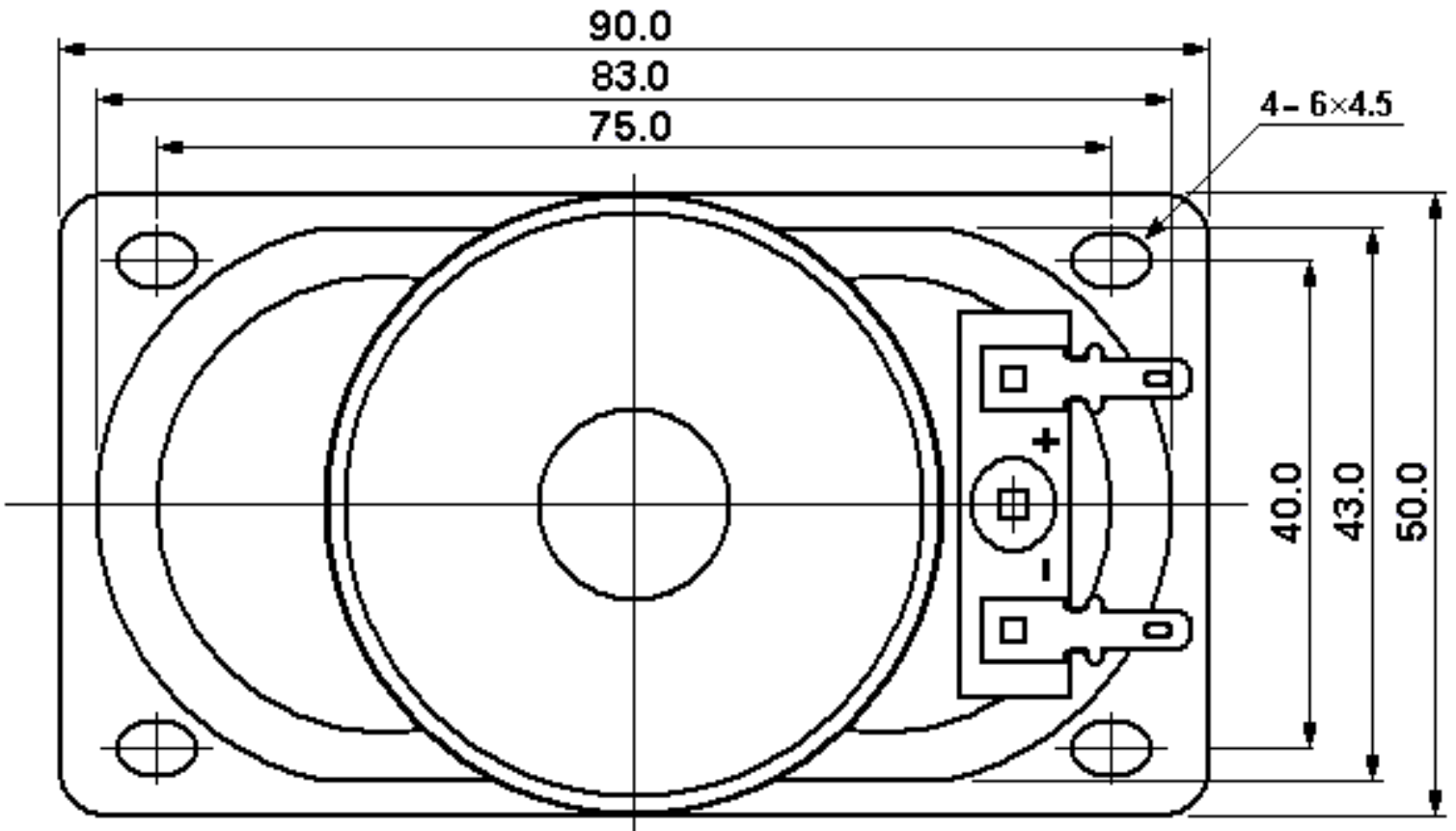
OUTSIDE DIAMETER OF YOKE SEAT (MM)	48
OUTSIDE DIAMETER (ELIMINATE RIM)	N/A
BAFFLE OPENING (MM)	43 x 83
THICKNESS OF RIM (MM)	4.3 ± 0.5
NET WEIGHT (OUNCES)	3.96 / 112.22
MOUNTING DIMENSIONS/DIAGONAL (MM)	40 x 75 - HOLE SIZE: 6 x 4.5

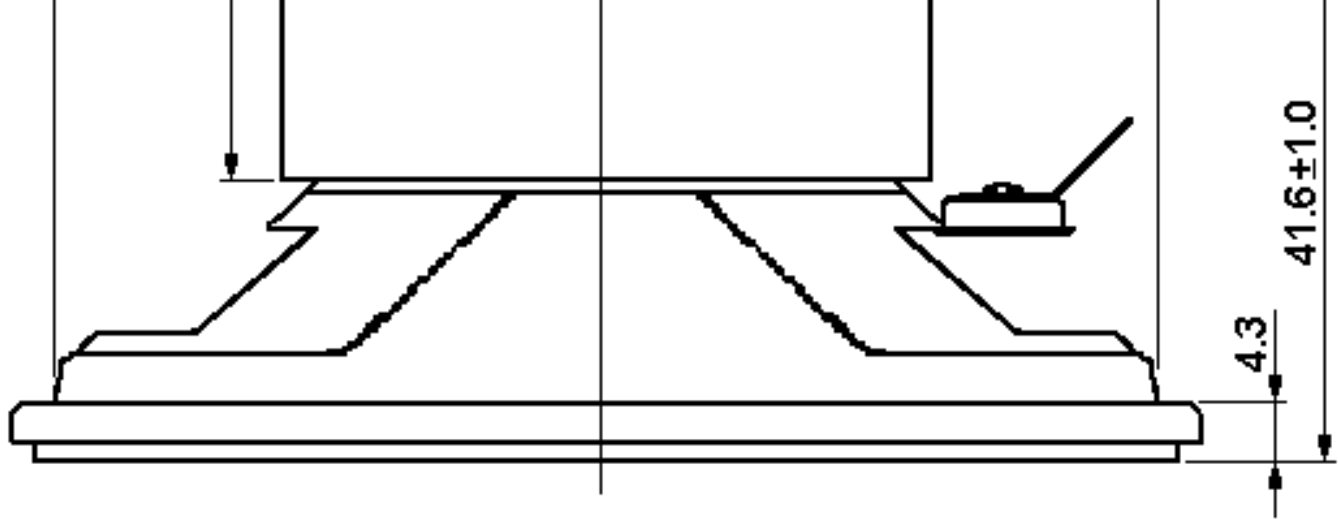
**POLARITY:**

DIAPHRAGM SHALL MOVE FORWARD WHEN APPLYING A POSITIVE DC CURRENT TO THE "+" (OR MARKED) TERMINAL.

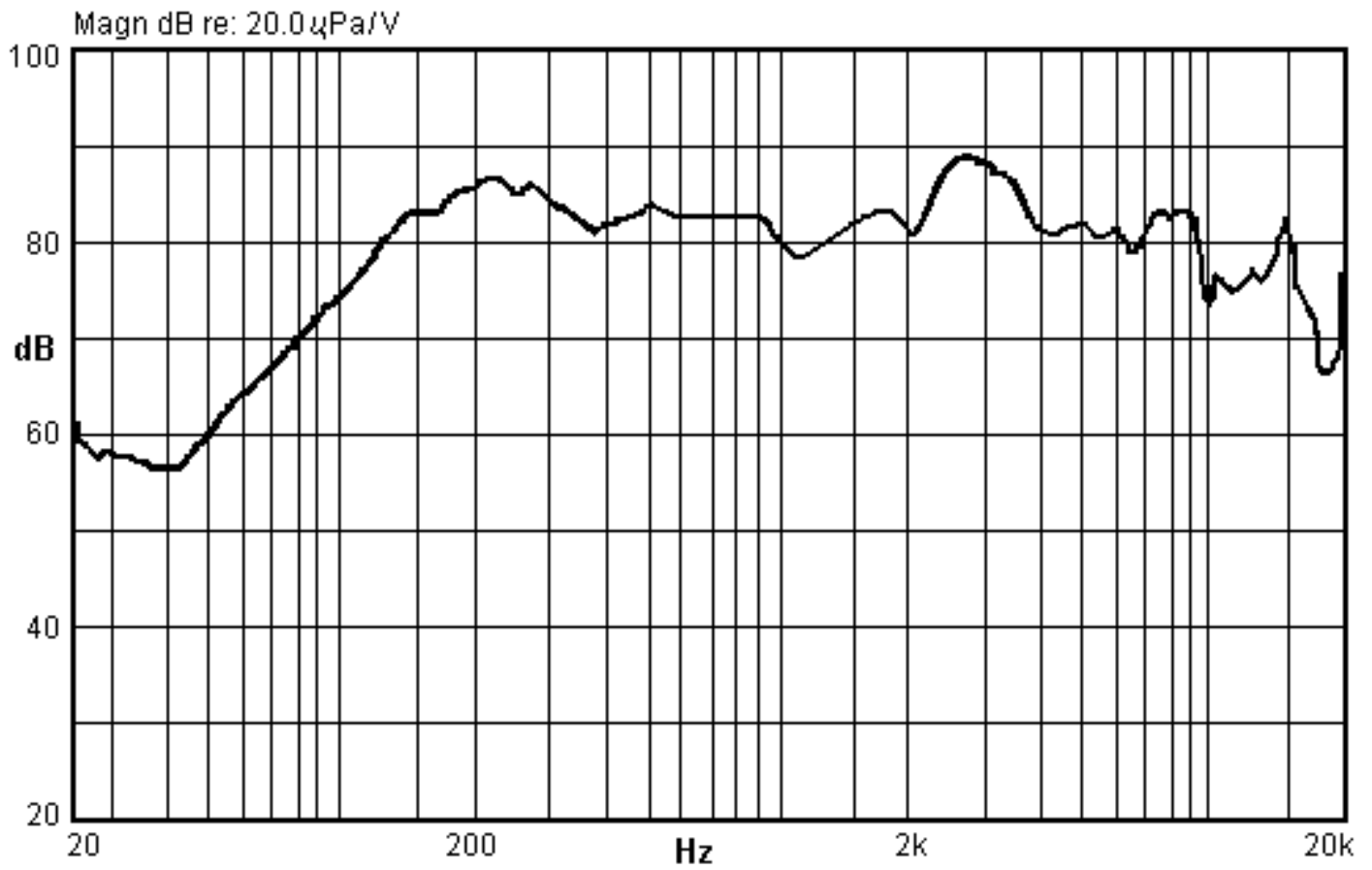
\*SPEAKER MUST MEET NORMAL OPERATION AND BUZZ & RATTLES SPECIFICATIONS

■ **DIMENSIONS**





### ■ TYPICAL FREQUENCY RESPONSE CURVE



[Return to top](#)

---

All contents are Copyright © 1999 by International Components Corporation, All rights reserved.

This site was developed and is maintained by [Promptweb.com](http://Promptweb.com). For information, concerns or comments send e-mail to the [webmaster. \(webmaster@pw2.com\)](mailto:webmaster@pw2.com)

---