

# Mini Incandescents

## T-2 Bulb

Line No.	Part Number	Base Type	Design Volts	Design Amps	End Foot Candela	Filament Type	Rated Life	Fig No.	Foot Notes
1	12PSB		Slide Base #5	12	0.17		<u>C-2F</u>	12,000	<u>51</u>

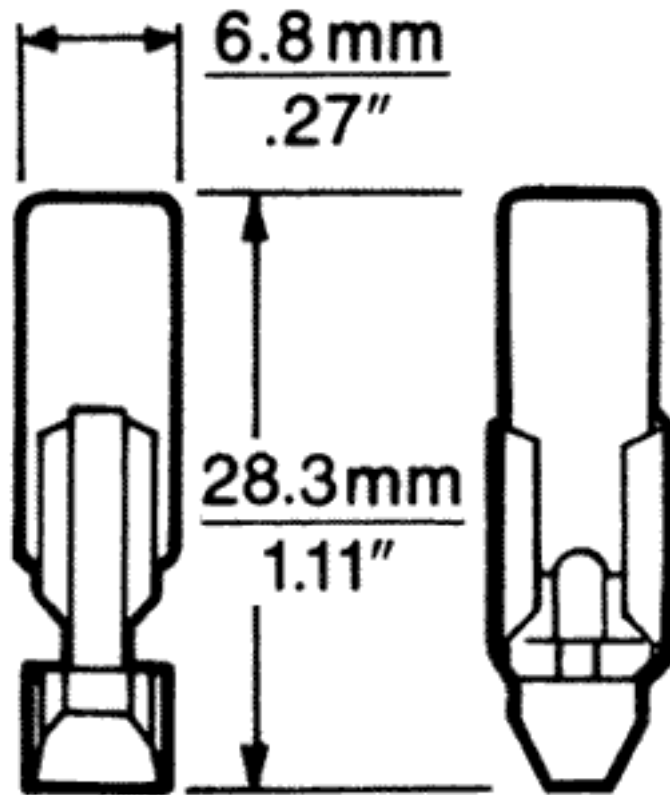


Fig. 51