

Mini Incandescents

T-2 Bulb

Line No.	Part Number	Base Type	Design Volts	Design Amps	End Foot Candela	Filament Type	Rated Life	Fig No.	Foot Notes
1	24PSB		Slide Base #5	24	0.072		<u>C-2F</u>	10,000	<u>51</u>

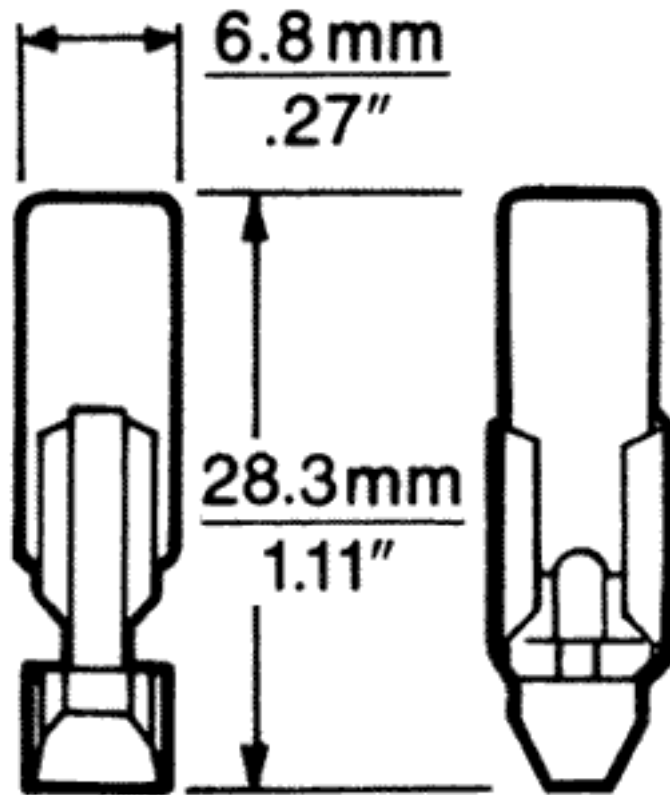


Fig. 51