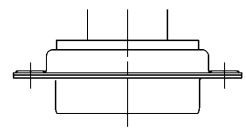
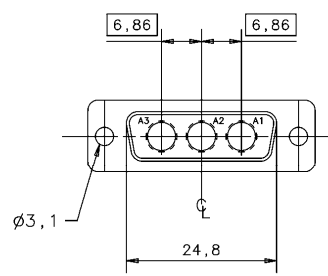
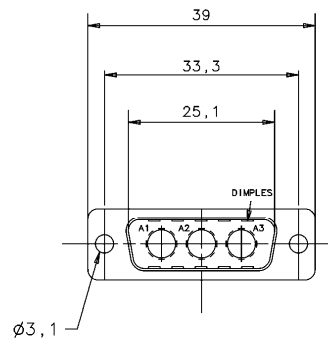


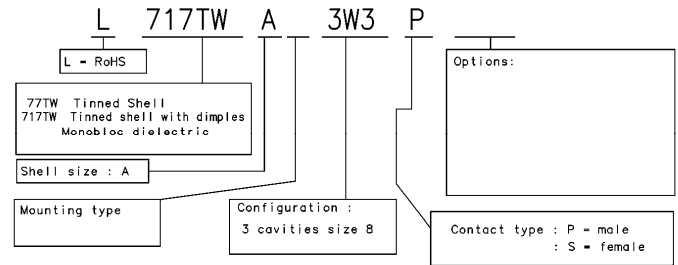
12.4



TECHNICAL DATA

'' D '' SUBMINIATURE CONNECTORS

- SHELL Steel .
finish : tinned
- BODY Glass filled thermoplastic polyamide
Flame retardant to UL 94 V-0 .
(resist to short terme temperature 260°C)
Colour : black
- BRACKETS Steel, Tinned
- ELECTRICAL Voltage rating 300 V Rms to 50Hz .
Nominal current 40 A (size 8)
Withstanding voltage >1000 V Rms to 50 Hz
Contact resistance <5m Ohms .
Insulator resistance >5000 M Ohms.
- CLIMATIC Temperature range -55°C + 125°C .
Damp heart 56 days 10°C - 95 % RH .
Other climatic specifications in accordance
with NF C 93-425, sheet HE507
- MECHANICAL Insertion force per contact 1,2N < F <2,5 N (size 20)
Extraction force per contact 0,4 N mini (size 20)
Mating and unmating force size A 80N maxi 4,5N mini
- MARKING Amphenol -(serie number)
Commercial reference
Manufacturing date



		CLIENT		Amphenol Socapex	
		N° SERIE		Sub-D	
				Usine de Dole	
A	X	CREATION PLAN	Validé	15/12/09	
IND.		MODIFICATIONS	EXEC.	DATE	Approb. ECH. 1.5
N°		REFERENCE COMMERCIALE :			
DATE DU TIRAGE		L717TW A3W3P			

PLAN NOTICE