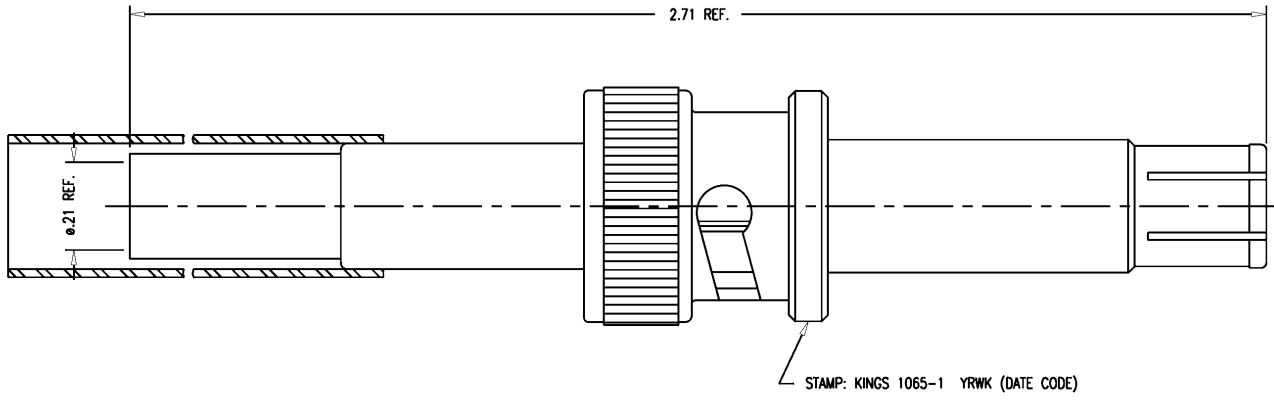


DASH NO.	M CODE	MADE FROM
----------	--------	-----------

GSD

1065-1

REVISIONS	
ISSUE	CHANGES
13	CN 33334 E REDRAWN WJM 08/26/91
14	CN 37544 C KH 02/20/98
15	CN 38562 E TML 05/28/02



- NOTES:
- FOR USE WITH RG-58, 58A & 58C/U CABLE.
 - FOR CABLING INSTRUCTIONS SEE 3-7-1.
 - FOR CRIMPING USE DIE KTH-2001.
 - MATERIALS:
 - INSULATOR: HIGH DENSITY POLYETHYLENE, MIL-P-22748
 - GASKET: SILICONE RUBBER, ZZ-R-765
 - HEAT SHRINK TUBING: POLYOLEFIN, PER MIL-I-23053/5 COLOR: RED
 - K-GRIP SLEEVE: COM. BRONZE, ASTM-B-135
 - K-GRIP BODY: BRASS, ASTM-B16
 - WASHERS: BRASS, QQ-B-613
 - ALL OTHER METAL PARTS: BER. COPPER, ASTM-B-196
 - FINISHES:
 - CENTER CONTACT: HARD GOLD PLATE, PER MIL-C-45204
 - SPRING WASHER: SILVER PLATE, PER QQ-S-365
 - ALL OTHER METAL PARTS: KINGS TARNISH RESISTANT NICKEL FINISH (TR-5)
 - ELECTRICAL CHARACTERISTICS:
 - WORKING VOLTAGE: 10 KV DC

1065-1S

SCALE	4:1
APPROX SURFACE AREA	
USED ON	
REF:	PLUG, 10 KV
DRAWN	WJM
DATE	08/26/61
DESIGN	MJB
DATE	09/04/61
APPR.	
DATE	

KINGS
ELECTRONICS CO., INC.
ROCK HILL, SOUTH CAROLINA 29730

GSD

1065-1