

Poly-carbonmonofluoride Lithium Batteries (BR series)

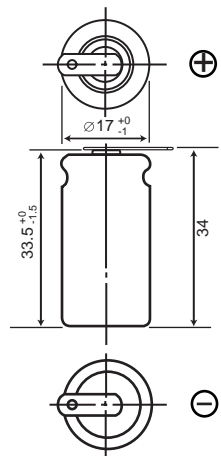
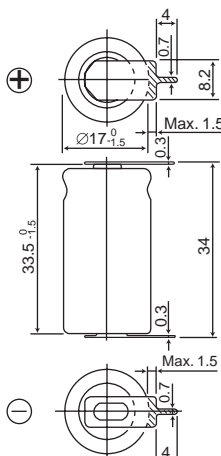
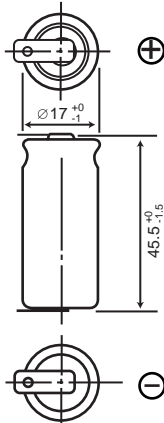
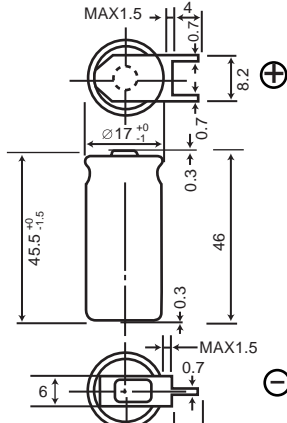
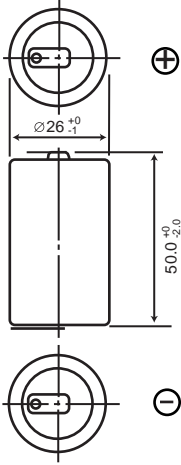
TAB CONFIGURATIONS

Bare Cell Model No.	Tab Type	Description	Configuration Diagram No.	Nominal	
				Voltage (V)	Capacity (mAh)
BR-2/3A	BR-2/3AT2SP	12 mm tabs for adding lead wires	1	3	1200
BR-2/3AH	◆BR-2/3AHT2SP				1350
BR-2/3AG	◆BR-2/3AGT2SP				1450
BR-2/3A	BR-2/3AE5SP	Tabs for PCB mounting. 1 Pin Positive 1 Pin Negative	2	3	1200
BR-2/3AH	◆BR-2/3AHE5SP				1350
BR-2/3AG	◆BR-2/3AGE5SP				1450
BR-2/3A	BR-2/3AE2SP	Tabs for PCB mounting. 2 Pins Positive 1 Pin Negative	3	3	1200
BR-2/3AH	◆BR-2/3AHE2SP				1350
BR-2/3AG	◆BR-2/3AGE2SP				1450
BR-A	BR-AT2P	12 mm tabs for adding lead wires	4	3	1800
BR-AH	◆BR-AHT2P				2000
BR-AG	◆BR-AGT2P				2200
BR-A	BR-AE2P	Tabs for PCB mounting. 1 Pin Positive 1 Pin Negative	5	3	1800
BR-AH	◆BR-AHE2P				2000
BR-AG	◆BR-AGE2P				2200
BR-C	BR-CT2P	12 mm tabs for adding lead wires	6	3	5000

◆ Please contact Panasonic for availability on optional items. Optional items may be subject to minimum order quantities.

BR Series Cylindrical Cell Tab Configurations

DIMENSIONS / MM

Bare Cell Model No.	Dimensions/mm	
<p>BR-2/3A (3V, 1200mAh)</p> <p>BR-2/3AH (3V, 1350mAh)</p> <p>BR-2/3AG (3V, 1450mAh)</p>	<p>①</p>  <p>BR-2/3AT2SP ◆ BR-2/3AHT2SP ◆ BR-2/3AGT2SP</p>	<p>②</p>  <p>BR-2/3AE5SP ◆ BR-2/3AHE5SP ◆ BR-2/3AGE5SP</p>
<p>BR-A (3V, 1800mAh)</p> <p>BR-AH (3V, 2000mAh)</p> <p>BR-AG (3V, 2200mAh)</p>	<p>④</p>  <p>BR-AT2P ◆ BR-AHT2P ◆ BR-2/3AGT2P</p>	<p>⑤</p>  <p>BR-AE2P ◆ BR-AHE2P ◆ BR-AGE2P</p>
<p>BR-C (3V, 5000mAh)</p>	<p>⑥</p>  <p>BR-CT2P</p>	

◆ Please contact Panasonic for availability on optional items. Optional items may be subject to minimum order quantities.