

AC Series Tubeaxial Cooling Fans Model No. A59T15

5.91" x 6.78" x 1.50"
(150 mm x 172 mm x 38 mm)
85-212 CFM
(40.1-100 L/Sec.)



Features

- Reliable split-phase capacitor motor construction
- Precision ball bearing system provides:
 - Longer life
 - Higher temperature extremes
 - Lower noise over time
 - Maximum shock and vibration resistance
- Rugged die-cast aluminum housing for maximum heat dissipation

Accessories:

- Finger guards
- Power cords

General Specifications

Frame: Die-cast aluminum painted black for moisture and corrosion resistance

Impeller: Reinforced polybutylene plastic (UL94V-0 rating)

Bearings: Precision, life-lubricated ball bearings

Insulation: Class A integral ground system rated @ 248°F (120°C)

Weight: 26 ozs. (750 grams)

Operating Temperature Range: 14° to 158°F (-10° to 70°C)

Insulation Resistance: 100 megohms minimum @ 500 VDC

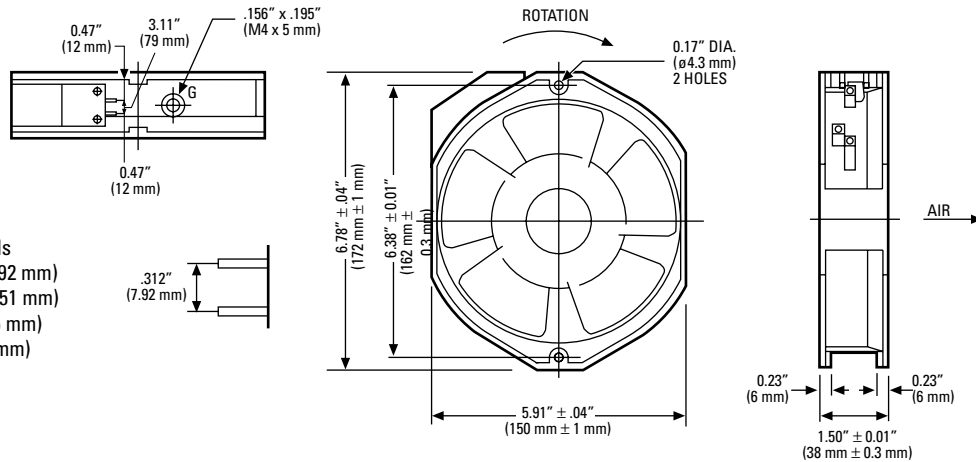
Dielectric Strength: 1500 VAC for 3 seconds

Safety Protection: Impedance protected; thermally protected

Life Expectancy: 50,000 hours minimum @ 77°F (25°C)

Terminals

2 Solder Terminals
Centers: .312" (7.92 mm)
Thickness: .02" (.51 mm)
Width: .120" (3.05 mm)
Length: .31" (7.8 mm)

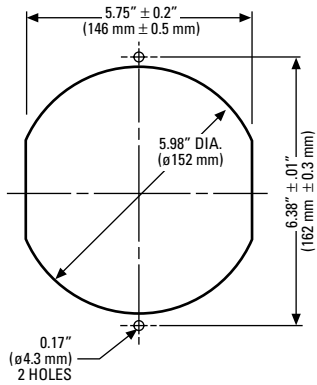


Note: 230 volt fans have tapped holes

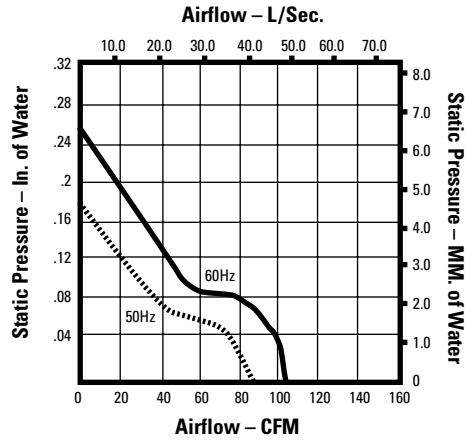
Globe Motors Part Number	Nominal Voltage VAC	Frequency Hz	Watts	Line Amps	RPM	Acoustic Noise dBA	Airflow (Min.)	
							CFM	Liters per Second
A59-B15A-15T1-000	115	50 / 60	16.0 / 18.0	0.160 / 0.190	1400 / 1650	35 / 38	85 / 102	40.1 / 48.1
A59-B15A-15T2-000	115	50 / 60	21.0 / 22.0	0.200 / 0.210	2200 / 2600	46 / 50	141 / 166	66.5 / 78.4
A59-B15A-15T3-000	115	50 / 60	35.0 / 32.0	0.380 / 0.360	2700 / 3200	52 / 56	177 / 212	83.5 / 100.0
A59-B15A-23T1-000	230	50 / 60	16.0 / 18.0	0.090 / 0.110	1400 / 1650	35 / 38	85 / 102	40.1 / 48.1
A59-B15A-23T2-000	230	50 / 60	23.0 / 26.0	0.120 / 0.140	2200 / 2600	46 / 50	141 / 166	66.5 / 78.4
A59-B15A-23T3-000	230	50 / 60	35.0 / 35.0	0.180 / 0.190	2700 / 3200	52 / 56	177 / 212	83.5 / 100.0

Note capacitor values: 115 VAC Series — 3.0µF @ 250 VAC; 230 VAC Series — 1.0µF @ 350 VAC
Capacitor is built in

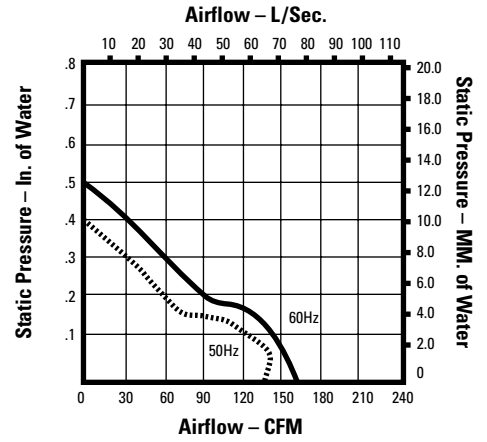
Installation Guide



Performance at Sea Level



A59-B15A-15T1-000



A59-B15A-15T2-000

Approvals



UL File No.
E105397



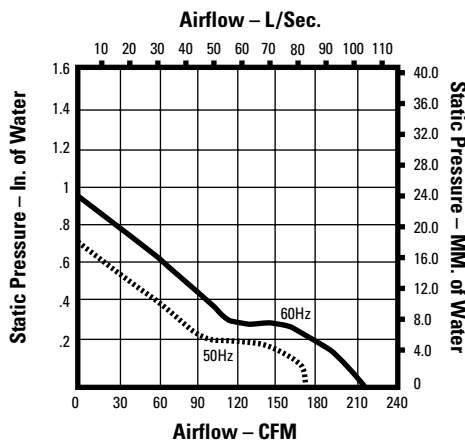
CSA File No.
72877



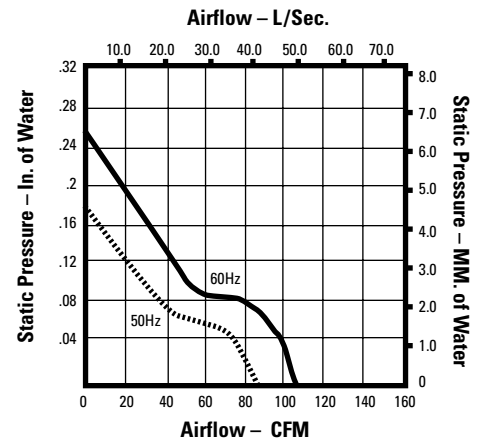
VDE File No.
17074-2611-0703



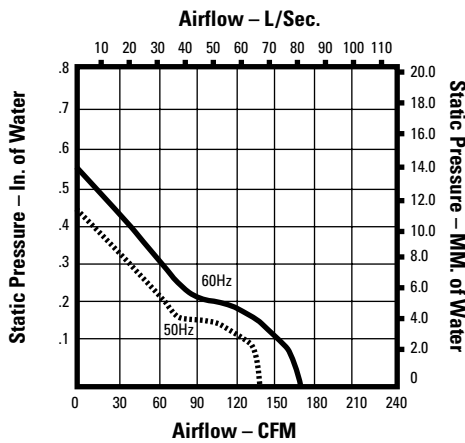
NOTES:



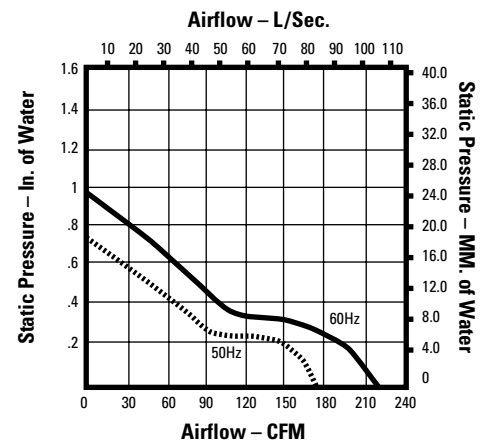
A59-B15A-15T3-000



A59-B15A-23T1-000



A59-B15A-23T2-000



A59-B15A-23T3-000

All operating specifications measured at nominal operating voltage, free air at sea level