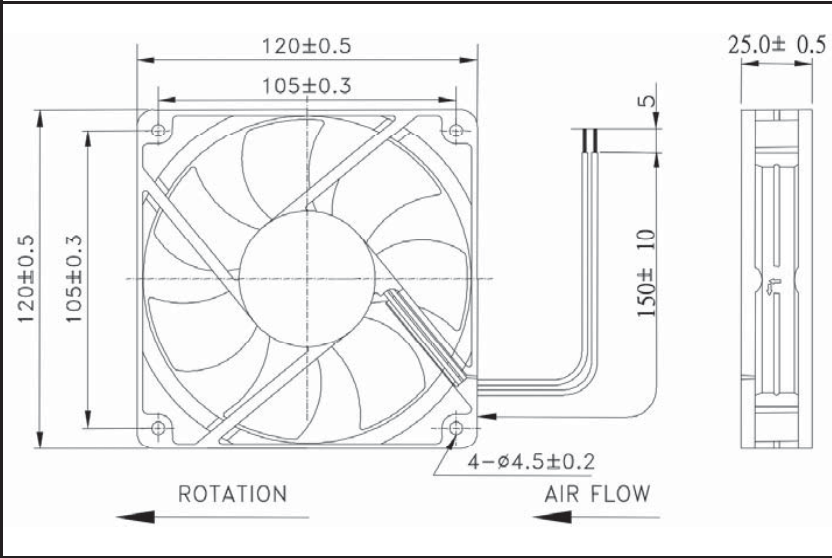




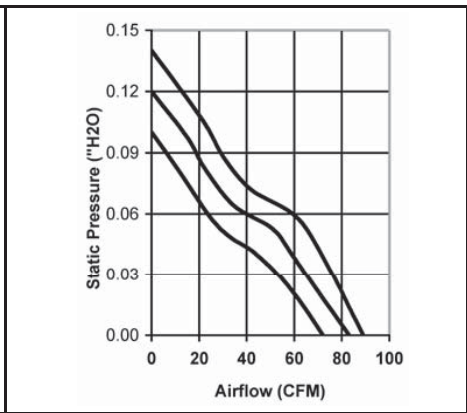
# OD1225 Series

DC Fan - 12V, 24V  
120x25mm (4.7"x 1.0")



Frame & Impeller	PBT, UL94V-O plastic
Connection	2x Lead wires 24AWG
Motor	Brushless DC, auto restart, polarity protected
Bearing System	Dual ball bearing
Insulation Resistance	10M ohm between leadwire and frame (500VDC)
Dielectric Strength	1 second at 500 VAC, max leakage - 500 MicroAmp
Temperature Range	-10C ~ +70C
Life (L10)	65,000 hours (45C)

**Available Options:**  
Tachometer,  
Alarm,  
Thermal control  
IP55 Water Resistance  
48V



Model Number	Speed (RPM)	Airflow (CFM)	Noise (dB)	Volts DC	Input Power (Watts)	Amps (max)	Max. Static Pressure ("H2O)
OD1225-12HB	2200	89	39	12	5	0.37	0.14
OD1225-12MB	2050	83	38	12	4	0.33	0.12
OD1225-12LB	1800	72	34	12	3	0.24	0.10
OD1225-24HB	2200	89	39	24	5	0.19	0.14
OD1225-24MB	2050	83	38	24	4	0.17	0.12
OD1225-24LB	1800	72	34	24	3	0.14	0.10