

**NORTH AMERICAN  
POWER CORDS**

**Qualtek** ELECTRONICS CORPORATION  
 Primary Power Components Division

**2 and 3 Conductor Power Cords**

**QUALTEK ELECTRONICS**

**2 Conductor Power Cords**


**RoHS  
Compliant**



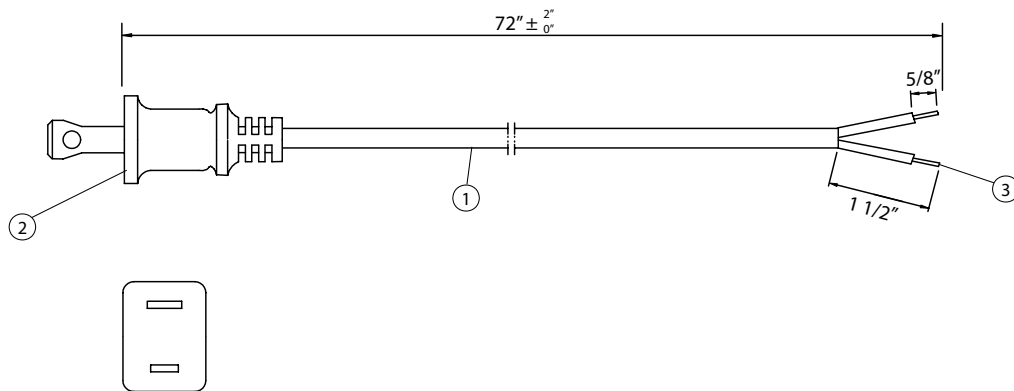
**A**



**B**

Part Number	Figure	Length	Cordage	# Cond AWG	Amp Rating	Plug No.	Conn No.	PDF Drawings
221001-01	A	6' 0"	SPT-1	2 x 18	10	1-15P	--	
221002-01	A	9' 0"	SPT-1	2 x 18	10	1-15P	--	
223020-01	B	6' 0"	SPT-2	2 x 18	7	1-15P	IEC 60320 C7	
223021-01	B	8' 0"	SPT-2	2 x 18	7	1-15P	IEC 60320 C7	

REVISION			
REV.	DESCRIPTION	DATE	APPROVED
B	RoHS Compliancy	06-01-06	DP



NOTES:

1. CORDAGE: SPT-1, 18AWG / 2C, UNSHIELDED, NA COLOR CODE, TEMP. RATING 60°C, RATING: 125V 10A, JACKET: COLOR BLACK
2. PLUG: 1-15P POLARIZED
3. OTHER END: SPLIT 1 1/2"; STRIP 5/8"
4. APPROVALS: UL, cUL
5. ROHS COMPLIANT

**CONTROLLED**

Dim range (mm)		Tolerance +/- (mm)	Qualtek Electronics Corp. PPC DIVISION		
0-1		0.15	Part Number:	221001-01	<span style="border: 1px solid green; padding: 2px;">RoHS Compliant</span>
1-6		0.20	Description: POWER CORD		
6-18		0.30		UNIT: in	REV. B
18-50		0.50	Drawn / Date	Checked / Date	Approved / Date
50-120		0.70	B.ZHANG 01-21-04	01-21-04	JJH / 01-21-04
120-250		0.90			
250-500		1.20			