

HBL2623 -- Twist-Lock Connector Body



HBL2623

2P3W, 30A 250V, L6-30R, Hi-Temp, Gray Nylon, 220° F / 104° C.

Product Specifications

Product Type



**Twist-Lock
Devices**

Product Item	Connector Body
Wiring Scheme	2 Pole, 3 Wire Grounding
Amperage	30A
Voltage	250V AC
NEMA Configuration	L6-30R
Item Style	Insulgrip
Device Color	Black/White
Cord Dia.	.360"-.930" (9-24)
Terminal Retainer Material	Clear polycarbonate
Housing Material	Black nylon
Cord Clamp Material	Natural (white) nylon
Terminal Clamp Material	.08" (2) steel-nickel plated
Terminal Screw Material	#10-32 Brass (white finish on neutral screw when used) Multi-drive
Ground Screw Material	#10-32 Brass (green finish) Multi-drive

Cord Clamp Screw Material	Steel, zinc plated Multi-drive
Body Holding Screw Material	Steel, zinc plated Multi-drive
Body Contact Carrier Material	Natural White Nylon
Contact Spring Material	Brass
Spring Binding Plate Material	Brass
Ground Contact Material	.031" (.8) Brass
Ratings	Molded into face.
Catalog No.	Permanently ink marked on body.
Dielectric Voltage Withstand	2,000V minimum
Current Interrupting	Certified for current interrupting at full rated current.
Temperature Rise	Max 30 C temperature rise at full rated current after 50 cycles of overload at 150% of rated current at a power factor of .75.
Cord Accommodation	Round portable service cords of diameters commensurate with the device rating as defined in UL Standard 62, CSA C22.2 No. 49.
Terminal Accommodation	30A #10 AWG
Terminal Identification	Terminals identified in accordance with UL 498 (X, Y, Z, White, Green)
Flammability	HB or better per UL 94 or CSA 22.2 No. 0.6
Operating Temperatures	Maximum Continuous 75 C Minimum -40 C (w/o impact)
Moisture Resistance	IP20
Listings	FED SPEC UL/CSA
Catalog Page	Click here for catalog page B27
Brochures	Click here for product brochure
Hubbellnet	Click here for Hubbellnet
Catalog Section	Click here for Section-B
UPC Number	78358503886
Weight in LBs	0.25



NEMA
Configuration



TWIST-LOCK® Devices

2 Pole, 3 Wire Grounding

30 Ampere, 125, 250 Volts and 277 Volts AC

Receptacles, INSULGRIP® Connector Bodies, Flanged Devices and Plugs



NEMA L5-30R
30A 125V
UL/CSA
2 HP



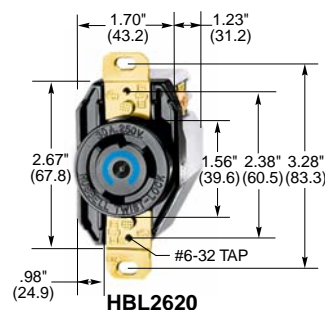
NEMA L6-30R
30A 250V
UL/CSA
2 HP



NEMA L7-30R
30A 277V AC
UL/CSA
3 HP

Single Flush Receptacles, Back and Side Wired

Description	Catalog Numbers		
Black nylon face.	HBL2610	HBL2620	HBL2630
Isolated ground, orange nylon face.	IG2610	IG2620	-
Corrosion resistant, yellow nylon face.	HBL26CM10		-



Insulgrip Connector Bodies IP20 SUITABILITY

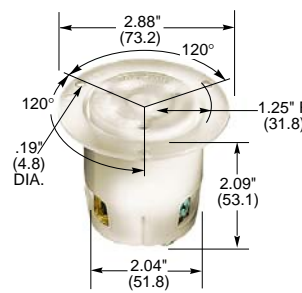
Description	Catalog Numbers		
Black and white nylon.	HBL2613	HBL2623	HBL2633
Heat stabilized, gray nylon, 220° F (104° C).	HBL2613F	HBL2623F	-
Corrosion resistant, yellow nylon.	HBL26CM13	HBL26CM23	-

Note: Cord clamp range .360"-.930" (9-24).



Insulgrip Flanged Receptacles

Description	Catalog Numbers		
Nylon casing, back wired.	HBL2616	HBL2626	HBL2636
Heat stabilized, gray nylon, 220° F (104° C).	HBL2616F	HBL2626F	-



Insulgrip Plugs IP20 SUITABILITY

Description	Catalog Numbers		
Black and white nylon.	HBL2611	HBL2621	HBL2631
Heat stabilized, gray nylon, 220° F (104° C).	HBL2611F	HBL2621F	-
Corrosion resistant, yellow nylon.	HBL26CM11	HBL26CM21	-

Notes: Cord clamp range .360"-.930" (9-24).

See page B-73 for Add-A-Shroud™ kit.



Insulgrip Flanged Inlets

Description	Catalog Numbers		
Nylon casing, back wired.	HBL2615	HBL2625	HBL2635
Heat stabilized, gray nylon, 220° F (104° C).	HBL2615F	HBL2625F	-

Notes: All HP ratings are AC only. Only receptacles and plugs are HP rated.

For technical information see page B-83.

For accessories see pages B-68 and B-69.

See page B-63 for switched enclosure.

