



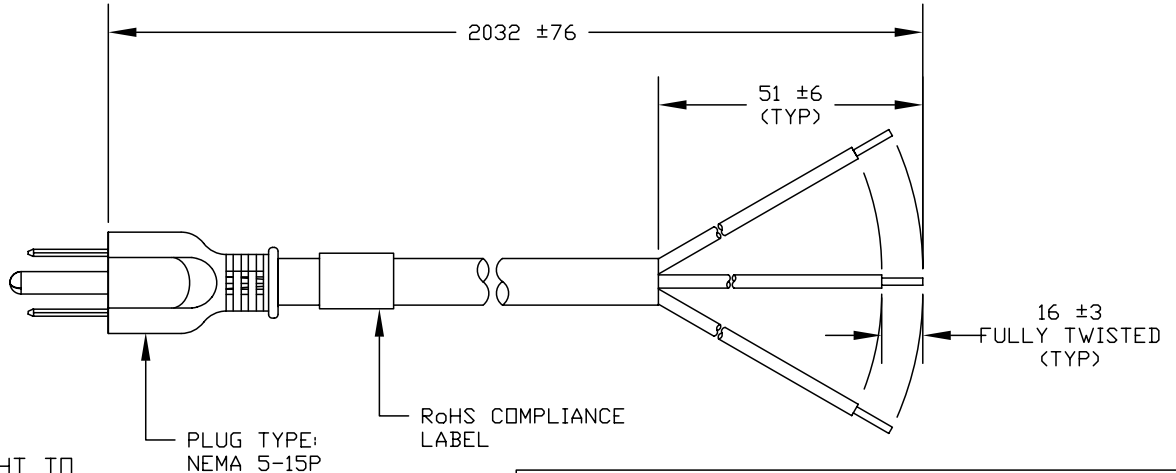
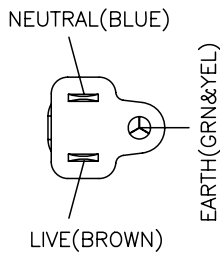
VOLEX

GROUP

## Standard Cord Details: 17512 10 B1



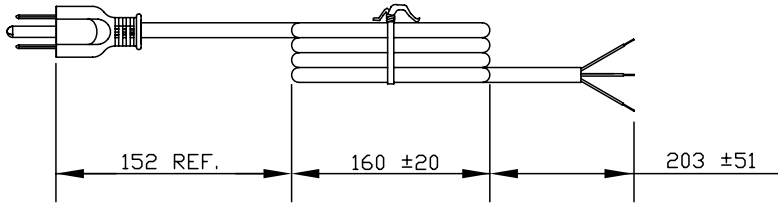
Specifications	
<b>Certifications</b>	
<b>Part Number</b>	17512 10 B1
<b>Connector Type</b>	none
<b>Plug Type</b>	5-15P
<b>Category</b>	Plastic
<b>Application</b>	Non-Detachable
<b>Plug Catalog No.</b>	
<b>Connector Catalog No.</b>	
<b>Cable</b>	SJT AWG 18x3
<b>Jacket Color</b>	black
<b>Length in Feet</b>	6'7
<b>Length in Meters</b>	2
<b>Temperature Rating</b>	60
<b>Packaging Units Per Carton</b>	H-100,H-25
<b>Color Coding</b>	International
<b>Nominal OD in Inches</b>	0.315
<b>Nominal OD in Millimeters</b>	8
<b>Notes</b>	See 17748 for 105C version. See 17534 for SVT version.




VOLEX RESERVES THE RIGHT TO ALTER NON-CRITICAL DIMENSIONS WITHOUT NOTICE.

- NOTES:
- 1) CORDAGE: 18/3 SJT, 60°C, BLACK
  - 2) APPROVALS:
  - 3) RATING: 10 AMP/125 VOLTS
  - 4) FLAME RATING : FT2
  - 5) PACKAGING: 90 PIECES/CARTON
  - 6) ALL DIMENSIONS IN MILLIMETERS.

PACKAGING: FOLD & TIE



REV	DESCRIPTION	DATE
2	REVISED TO SHOW CHINA MANUFACTURED CORD	11/26/07
1	C.U.D - NEW RELEASE	9/17/07



FORM IN71-07 REV.A

- Indianapolis, IN
- Conover, N.C.
- Freemont, CA
- Aguascalientes, MX
- Tijuana, Mexico
- Hermosillo, MX
- Clinton, AR
- Kanata, Canada

**Proprietary Notice:**  
This document is the property of Volex Incorporated. The information contained herein is not to be disclosed to anyone without the express written consent of Volex Inc.

**MATERIAL:**  
PLUG: PVC, BLACK  
JACKET: PVC, BLACK

**FINISH:**  
JACKET: SMOOTH

SCALE: NOT TO SCALE	ECD: N/A	ITEM DESCRIPTION CORDSET - NORTH AMERICAN POWER SUPPLY CORD (6'7")		
TOLERANCE UNLESS OTHERWISE SPECIFIED .XXX ± .005 .XX ± .02 .X ± .03 FRACT. ± 1/32 ANGULAR ± 1/2°		APPROVED STC	DRAWN BY STC	DATE: 9/17/07
		PART NO. 17512 10 B1		