



AdaptaHorn® Grille Type Vibrating Horn

Indoor Applications

874 & 875 Series

FEATURES

- > PLC compatible models
- > Corrosion resistant finish
- > Volume adjustable
- > Completely assembled

AGENCY APPROVALS

- > UL Listed
- > FM Approved (874 Series)

SPECIFICATIONS

- > Operating range: -20% to +10% of nominal voltage
- > Heavy duty die-cast housing
- > Projects only 2" (51mm) from mounting surface

874 AC Series

- > Adjustable output: 78 to 103 dB
- > 400 hour rating at 50% duty cycle

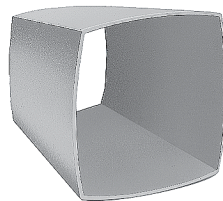
875 DC Series

- > Adjustable output: 78 to 101 dB
- > 200 hour rating

The Edwards 874AC & 875 DC Series are low-current, high decibel surface mount vibrating horns for heavy-duty use. Supplied complete with Adaptable® for easy installation.

Supplied Adaptable allows quick plug-in connection. Horn simply plugs into receptacle on mounting plate. Also mounts on any single gang, 3 1/4" (83mm), 3 1/2" (89mm), 4" (102mm) octagon, or 4" (102mm) square box.

Used in industrial, commercial, and institutional applications for timing, paging, and alarm signaling. Applications include equipment malfunction alert and security warning.

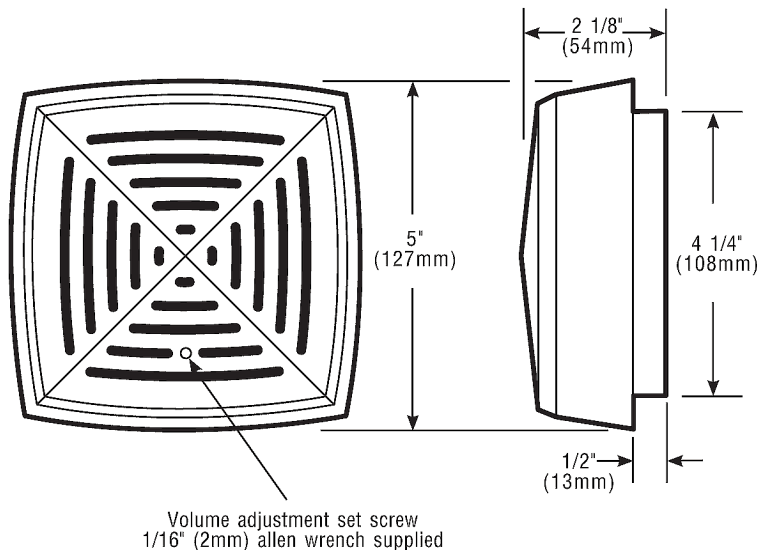


872-PO Plastic Projector AdaptaHorn Accessory

Plastic projector snaps onto any AdaptaHorn. Available as separate item.



TECHNICAL INFORMATION



Cat. No.	Volts	Amps	V A	DC coil Res. (Ohms)	dB at 10 Ft.
874-E5	12V AC	1.25	15.0	1.5	103
874-G5	24V AC	.63	15.1	5.2	
874-N5 [†]	120V AC	.13	15.6	150	
874-R5	240V AC	.06	14.4	580	
875-C1	6V DC	0.70	4.2	1.6	101
875-E1	12V DC	0.27	3.2	6	
875-G1	24V DC	0.16	3.8	24	
875-P1	125V DC	0.025	3.1	600	
875-S1	250V DC	0.014	3.5	2640	

[†] Diode polarized version available in red. Order 884D-N5

PLC COMPATIBILITY - SIGNAL INPUT LOAD CHARACTERISTICS*

Cat. No.	Operating voltage Volts	Max. off state leakage current mA	Continuous on current mA	Surge (inrush/duration) Amps/milliseconds
874-N5	120V AC	25	120	1.02/.000026
875-G1	24V DC	25	150	1.7/.000042

*This device is PLC compatible and may be operated by PLCs with output characteristics that match the input load requirements of this signal.

Electromechanical devices can produce transient spikes and should only be used on PLC output cards that have inherent transient spike suppression. Consult the PLC manufacturer prior to connecting 24V DC electromechanical devices to PLCs.