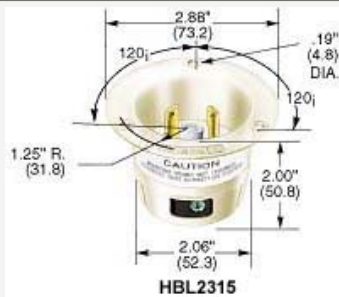


HBL2315 -- Twist-Lock Flanged Inlet



2P3W, 20A 125V, L5-20P, White Nylon

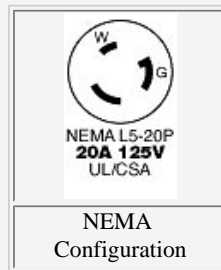
Product Specifications

Product Type

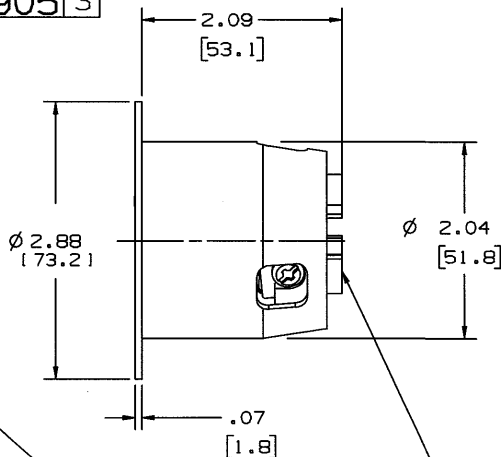
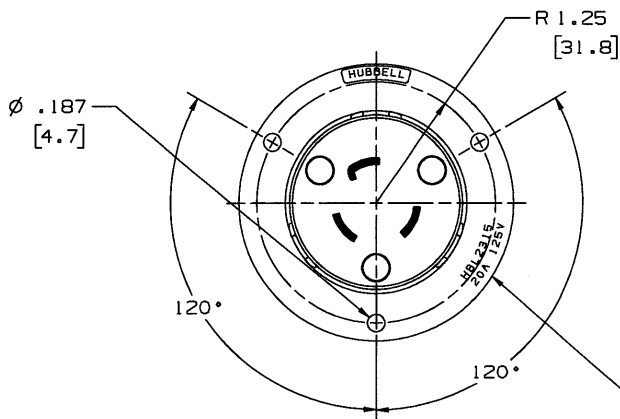


| | |
|-----------------------------------|--|
| Product Item | Flanged Inlet |
| Wiring Scheme | 2 Pole, 3 Wire Grounding |
| Amperage | 20A |
| Voltage | 125V AC |
| NEMA Configuration | L5-20P |
| Item Style | Standard |
| Device Color | White |
| Terminal Retainer Material | Clear polycarbonate |
| Blade Material | Brass |
| Terminal Clamp Material | .08" (2) steel-nickel plated |
| Terminal Screw Material | #10-32 Brass (white finish on neutral screw when used) Multi-drive |
| Ground Screw Material | #10-32 Brass (green finish) Multi-drive |

| | |
|--------------------------------------|--|
| Body Holding Screw Material | Steel, zinc plated Multi-drive |
| Body Contact Carrier Material | Natural White Nylon |
| Flanged Casing Material | Natural White Nylon |
| Mounting Screw Material | Nickel-plated Brass Round head screws |
| Ratings | Molded into face |
| Catalog No. | Permanently ink marked on casing |
| Dielectric Voltage Withstand | 2,000V minimum. |
| Current Interrupting | Certified for current interrupting at full rated current. |
| Temperature Rise | Max 30 C temperature rise at full rated current after 50 cycles of overload at 150% of rated current at a power factor of .75. |
| Terminal Accommodation | 20A #12 AWG |
| Terminal Identification | Terminals identified in accordance with UL 498 (X, Y, Z, White, Green) |
| Flammability | HB or better per UL 94 or CSA 22.2 No. 0.6 |
| Operating Temperatures | Maximum Continuous 75 C Minimum -40 C (w/o impact) |
| Listings | FED SPEC UL/CSA |
| Feature Info | Nylon casing, back wired. |
| M Drawings | Click here for M-Drawing |
| Catalog Page | Click here for catalog page B22 |
| Brochures | Click here for product brochure |
| Hubbellnet | Click here for Hubbellnet |
| Catalog Section | Click here for Section-B |
| UPC Number | 78358503778 |
| Weight in LBs | 0.2 |



M-7905 3



CAT NO. & RATING
PRINTED ON FLANGE
COLOR CODE BY
VOLTAGE

TERMINALS WILL ACCEPT
16AWG TO 8AWG WIRE

LEGEND:
IN.
(mm)

| NEMA NO. | RATING | POLE/WIRE | CAT NO. | VOLTAGE COLOR CODE |
|----------|--------|--------------------|---------|-----------------------|
| L5-20P | 125V | 2P/3W GROUNDING | HBL2315 | YELLOW |
| L6-20P | 250V | 2P/3W GROUNDING | HBL2325 | BLUE |
| L7-20P | 277VAC | 2P/3W GROUNDING | HBL2335 | GRAY |
| L8-20P | 480VAC | 2P/3W GROUNDING | HBL2345 | RED |
| L9-20P | 600VAC | 2P/3W GROUNDING | HBL2355 | BLACK |

NOTE: ALL SCREWS ARE COMBINATION PHILLPS/SLOTTED/
ROBERTSON HEAD.

LIST OF PARTS

| DESCRIPTION | MATERIAL | FINISH |
|---------------------|----------------|--------------|
| CASING | NYLON | NATURAL |
| BLADE HOLDER | NYLON | NATURAL |
| RETAINER | POLY CARBONATE | CLEAR |
| BLADE | .080 BRASS | |
| WIRE CLAMP | .080 CRS | NICKEL PLATE |
| #10 TERMINAL SCREWS | BRASS | * |
| #10 GROUND SCREW | BRASS | GREEN |
| ASSEMBLY FASTENERS | STEEL | ZINC PLATE |
| #8 MOUNTING SCREWS | BRASS | NICKEL PLATE |

* WHITE FINISH ON NEUTRAL BLADE
WHEN USED

| | | | |
|-----|---|-----|----------|
| 3 | REMOVED CANADIAN CATALOG PER DCN #7772. AMZ | DB | 8/24/00 |
| 2 | REVISED NOTE: REVISED SCREW TO TRI-DRIVE PER DCN 7633 RCM | DB | 8/21/00 |
| 1 | RELEASED PER DCN 5220-13 B.C. | DJP | 03/12/98 |
| SYM | REVISIONS | APP | DATE |

THE DESIGN AND DIMENSIONS OF THE
PRODUCT SHOWN ON THIS DRAWING ARE
SUBJECT TO CHANGE WITHOUT NOTICE

TITLE
20A 3-WIRE
TWIST-LOCK
FLANGE INLET

| | | |
|---------------------------------------|---|---------------|
| TOLERANCES UNLESS OTHERWISE SPECIFIED | WIRING DEVICE-KELLEMS HUBBELL INCORPORATED BRIDGEPORT, CT | |
| FRACTIONS N/A | DR. BY B.C. | APP. BY DJP |
| DECIMALS N/A | TR. BY | SCALE 1:1 |
| ANGLES N/A | CHK'D BY DJP | DATE 02/12/98 |

DIMENSION SHEET FOR CAT. NO.

REPAIRABLE NON-REPAIRABLE

B

M-7905

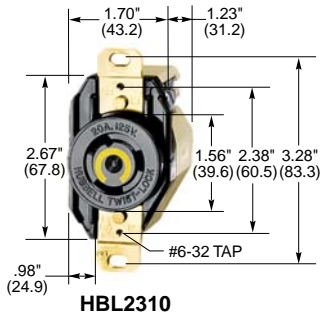
3

TWIST-LOCK® Devices

2 Pole, 3 Wire Grounding

20 Ampere, 125, 250 Volts and 277 Volts AC

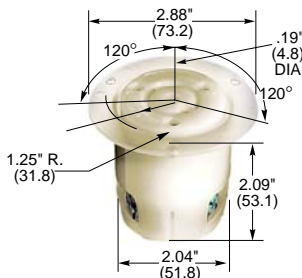
Receptacles, INSULGRIP® Connector Bodies, Flanged Devices and Plugs



HBL2310



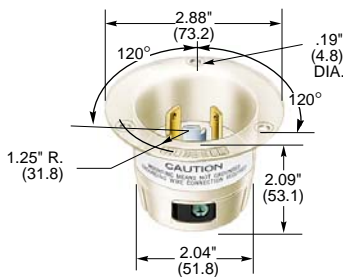
HBL2313



HBL2316



HBL2311



HBL2315



NEMA L5-20R
20A 125V
UL/CSA
1 HP



NEMA L6-20R
20A 250V
UL/CSA
2 HP



NEMA L7-20R
20A 277V AC
UL/CSA
2 HP

Single Flush Receptacles, Back and Side Wired

| Description | Catalog Numbers | | |
|---|------------------|----------------|----------------|
| Black nylon face. | HBL2310 | HBL2320 | HBL2330 |
| Isolated ground, orange nylon face. | IG2310 | IG2320 | — |
| Corrosion resistant, yellow nylon face. | HBL23CM10 | — | — |

Insulgrip Connector Bodies IP20 SUITABILITY

| Description | Catalog Numbers | | |
|------------------------------------|------------------|------------------|----------------|
| Black and white nylon. | HBL2313 | HBL2323 | HBL2333 |
| Corrosion resistant, yellow nylon. | HBL23CM13 | HBL23CM23 | — |

Note: Cord clamp range .360"-.930" (9-24).

Insulgrip Flanged Receptacles

| Description | Catalog Numbers | | |
|---------------------------|-----------------|----------------|----------------|
| Nylon casing, back wired. | HBL2316 | HBL2326 | HBL2336 |



NEMA L5-20P
20A 125V
UL/CSA
1 HP



NEMA L6-20P
20A 250V
UL/CSA
2 HP



NEMA L7-20P
20A 277V AC
UL/CSA
2 HP

Insulgrip Plugs IP20 SUITABILITY

| Description | Catalog Numbers | | |
|------------------------------------|------------------|------------------|----------------|
| Black and white nylon. | HBL2311 | HBL2321 | HBL2331 |
| Corrosion resistant, yellow nylon. | HBL23CM11 | HBL23CM21 | — |

Notes: Cord grip range .360"-.930" (9-24).
See page B-73 for Add-A-Shroud™ kit.

Insulgrip Flanged Inlets

| Description | Catalog Numbers | | |
|---------------------------|-----------------|----------------|----------------|
| Nylon casing, back wired. | HBL2315 | HBL2325 | HBL2335 |

Notes: See pages B-68 and B-69 for accessories.
See page B-63 for switched enclosure.
For technical information see page B-83.
HP ratings are AC only.
Only receptacles and plugs are HP rated.