

## HBL2731 -- Twist-Lock Plug



3P4W, 30A 3PH 480V, L16-30P, Black &amp; White Nylon

HBL2731

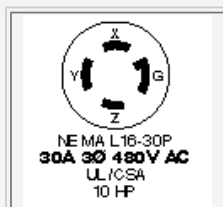
## Product Specifications

## Product Type

Twist-Lock  
Devices

|                                   |                          |
|-----------------------------------|--------------------------|
| <b>Product Item</b>               | Plug                     |
| <b>Wiring Scheme</b>              | 3 Pole, 4 Wire Grounding |
| <b>Amperage</b>                   | 30A                      |
| <b>Voltage</b>                    | 3 Phase 480V AC          |
| <b>NEMA Configuration</b>         | L16-30P                  |
| <b>Item Style</b>                 | Insulgrip                |
| <b>Device Color</b>               | Black/White              |
| <b>Horsepower</b>                 | 10                       |
| <b>Cord Dia.</b>                  | .35"-1.15" (9-29)        |
| <b>Blade Holder Material</b>      | Natural White Nylon      |
| <b>Terminal Retainer Material</b> | Clear polycarbonate      |
| <b>Housing Material</b>           | Black nylon              |
| <b>Cord Clamp Material</b>        | Natural (white) nylon    |

|                                     |  |
|-------------------------------------|--|
| <b>Blade Material</b>               | Brass  |
| <b>Terminal Clamp Material</b>      | .08" (2) steel-nickel plated   |
| <b>Terminal Screw Material</b>      | #10-32 Brass (white finish on neutral screw when used) Multi-drive   |
| <b>Ground Screw Material</b>        | #10-32 Brass (green finish) Multi-drive  |
| <b>Cord Clamp Screw Material</b>    | Steel, zinc plated Multi-drive   |
| <b>Body Holding Screw Material</b>  | Steel, zinc plated Multi-drive   |
| <b>Ratings</b>                      | Molded into face   |
| <b>Catalog No.</b>                  | Permanently ink marked on body.  |
| <b>Dielectric Voltage Withstand</b> | 2,000V minimum   |
| <b>Current Interrupting</b>         | Certified for current interrupting at full rated current   |
| <b>Temperature Rise</b>             | Max 30 C temperature rise at full rated current after 50 cycles of overload at 150% of rated current at a power factor of .75. |
| <b>Cord Accommodation</b>           | Round portable service cords of diameters commensurate with the device rating as defined in UL Standard 62, CSA C22.2 No. 49.  |
| <b>Terminal Accommodation</b>       | 30A #10 AWG  |
| <b>Terminal Identification</b>      | Terminals identified in accordance with UL 498 (X, Y, Z, White, Green)   |
| <b>Flammability</b>                 | HB or better per UL 94 or CSA 22.2 No. 0.6   |
| <b>Operating Temperatures</b>       | Maximum Continuous 75 C Minimum -40 C (w/o impact)   |
| <b>Moisture Resistance</b>          | IP20   |
| <b>Listings</b>                     | FED SPEC UL/CSA  |
| <b>Catalog Page</b>                 | <a href="#">Click here for catalog page B43</a>  |
| <b>Brochures</b>                    | <a href="#">Click here for product brochure</a>  |
| <b>Hubbellnet</b>                   | <a href="#">Click here for Hubbellnet</a>  |
| <b>Catalog Section</b>              | <a href="#">Click here for Section-B</a>   |
| <b>UPC Number</b>                   | 78358503931  |
| <b>Weight in LBs</b>                | 0.3  |



NEMA  
Configuration



# TWIST-LOCK® Devices 3 Pole, 4 Wire Grounding

30 Ampere, 3Ø 480 and 3Ø 600 Volts AC

Receptacles, INSULGRIP® Connector Bodies, Flanged Devices and Plugs



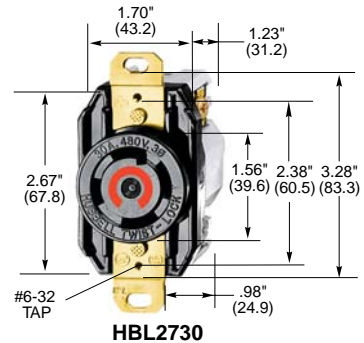
NEMA L16-30R  
30A 3Ø 480V AC  
UL/CSA  
10 HP



NEMA L17-30R  
30A 3Ø 600V AC  
UL/CSA

## Single Flush Receptacles, Back and Side Wired

| Description                               | Catalog Numbers |         |
|---|-----------------|---------|
| Black nylon face.<br><i>Not Fed Spec.</i> | HBL2730         | HBL2740 |



## Insulgrip Connector Bodies IP20 SUITABILITY

| Description                        | Catalog Numbers |           |
|------------------------------------|-----------------|-----------|
| Black and white nylon.             | HBL2733         | HBL2743   |
| Corrosion resistant, yellow nylon. | HBL27CM33       | HBL27CM43 |

*Note: Cord clamp range .35"-1.15" (9-29).*



## Insulgrip Flanged Receptacles

| Description               | Catalog Numbers |         |
|---------------------------|-----------------|---------|
| Nylon casing, back wired. | HBL2736         | HBL2746 |



NEMA L16-30P  
30A 3Ø 480V AC  
UL/CSA  
10 HP



NEMA L17-30P  
30A 3Ø 600V AC  
UL/CSA

## Insulgrip Plugs IP20 SUITABILITY

| Description                        | Catalog Numbers |           |
|------------------------------------|-----------------|-----------|
| Black and white nylon.             | HBL2731         | HBL2741   |
| Corrosion resistant, yellow nylon. | HBL27CM31       | HBL27CM41 |

*Notes: Cord clamp range .35"-1.15" (9-29).  
See page B-73 for Add-A-Shroud™ kit.*



## Insulgrip Flanged Inlets

| Description              | Catalog Numbers |         |
|--------------------------|-----------------|---------|
| Nylon casing, backwired. | HBL2735         | HBL2745 |

*Notes: HP ratings listed above are AC only.  
See pages B-70 and B-71 for accessories.  
Only receptacles and plugs are HP rated and up to 480V AC only.  
For technical information see page B-83.  
See page B-63 for a switched enclosure.*

