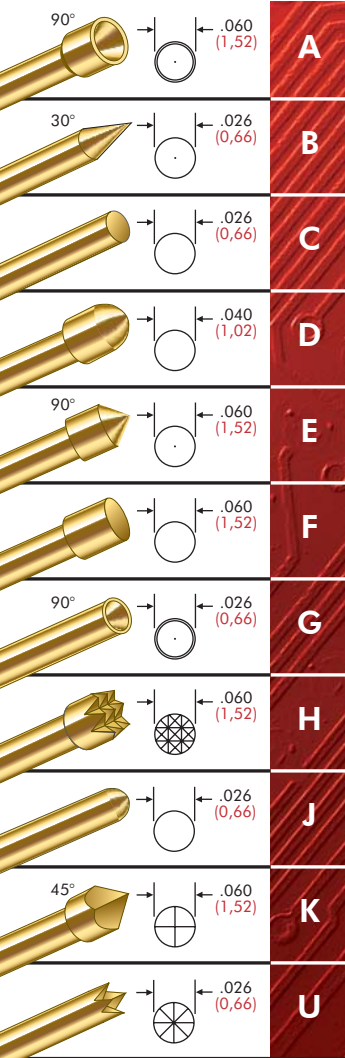


# Series S SIZE 1 .075 CENTERS

## BeCu PLUNGERS



## PROBE SPECIFICATIONS

Minimum Centers: .075 (1,91)  
 Current Rating: 3 amps continuous  
 Spring Force: 2.0, 3.8 or 6.6 oz. @ .070 (1,78) travel  
 Contact Resistance: <25 mΩ  
 Working Travel: .070 (1,78)

Rated Force oz (gms)	Preload oz (gms)	Material
2.0 (57)	0.8 (23)	SS
3.8 (108)	1.5 (43)	SS
6.6 (187)	2.0 (57)	MW

## RECEPTACLE SPECIFICATIONS

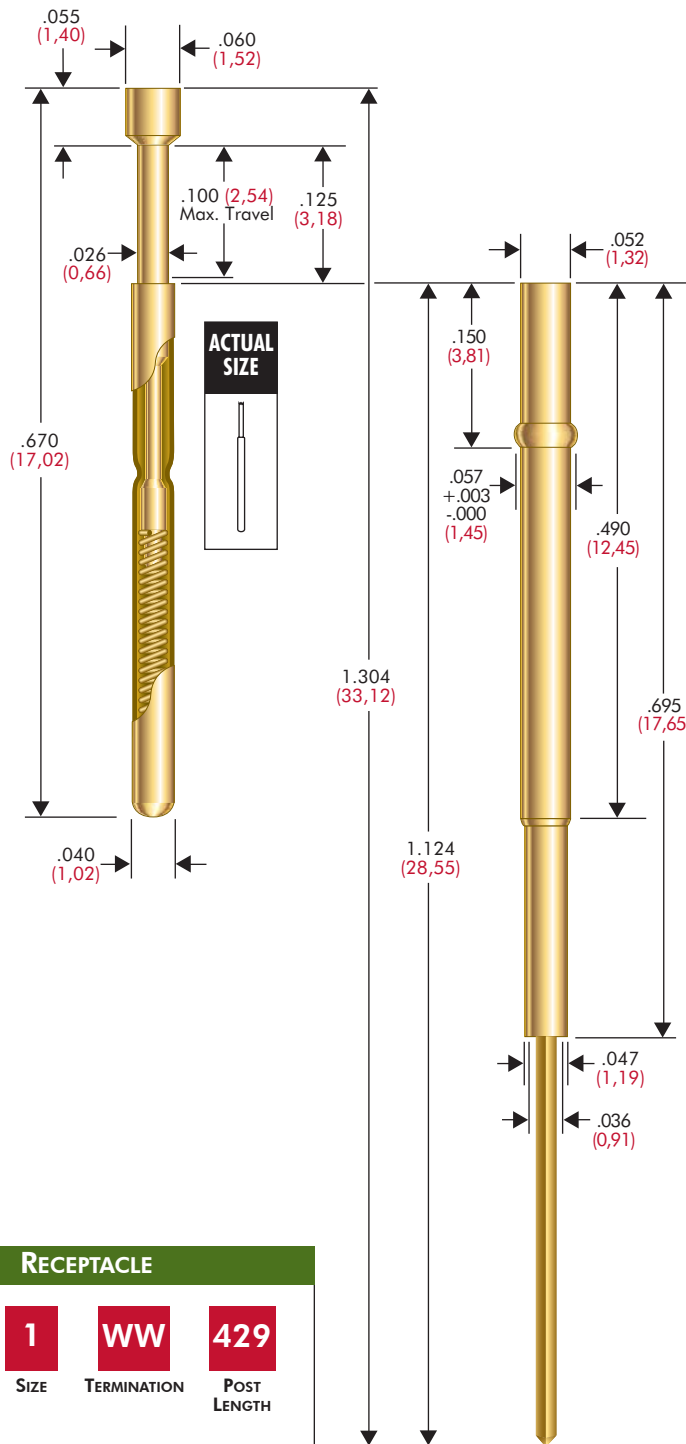
Connections:  
 R-1-CR: Crimp  
 R-1-SC: Solder Cup  
 R-1-WW: Wire Wrap,  
 .025 (0,64) square post,  
 .429 (10,90) length  
 R-1-RP: Round Post,  
 .025 (0,64) diameter,  
 .375 (9,53) length

**Recommended Wire:**  
 24-28 gage  
**Drill Size:** 1,45mm  
**Mounting Hole Size:**  
 .055/.057 (1,40/1,45)

## MATERIALS

Barrel: Nickel/silver, gold plated  
 Spring: Stainless steel or music wire, gold plated  
 Plunger: Full-hard beryllium copper, gold plated over nickel or optional Duralloy™  
 Receptacle: Nickel/silver, gold plated, gold plated post

## S 1 PROBE AND RECEPTACLE



## HOW TO ORDER: SPRING CONTACT PROBE

**S** **1** **A** **3.8** **G**  
 SERIES SIZE TIP STYLE SPRING FORCE PLATING OPTIONS

**SERIES:**  
 S: Standard  
 SX: Improved Pointing Accuracy  
**SPRING FORCE:**  
 2.0 oz. @ .070 (1,78) travel  
 3.8 oz. @ .070 (1,78) travel  
 6.6 oz. @ .070 (1,78) travel

**PLATING OPTIONS:**  
 G: Gold Plated Plunger  
 D: Duralloy™ Plated Plunger

**CRIMPING PLIERS:** CP1  
**INSERTION TOOL:** RT1

## RECEPTACLE

**R** **1** **WW** **429**  
 SERIES SIZE TERMINATION POST LENGTH

**TERMINATIONS:**  
 CR: Crimp  
 SC: Solder Cup  
 WW: Wire Wrap  
 RP: Round Post

**POST LENGTH:**  
 WW: 429  
 RP: 375

View updates of this information at <http://www.idinet.com>

Specifications subject to change without notice. Dimensions in inches (millimeters)