



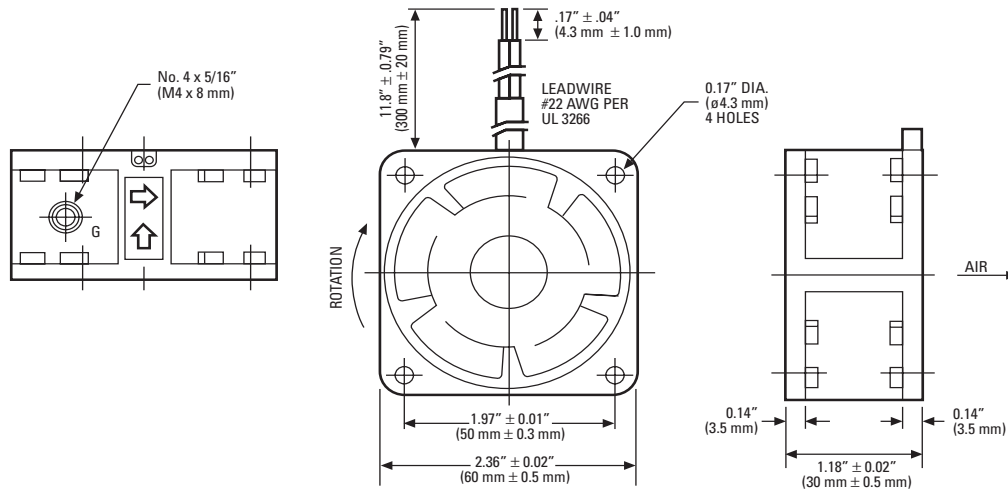
**Features**

- Reliable shaded-pole motor construction
- Precision ball bearing system provides:
  - Longer life
  - Higher temperature extremes
  - Lower noise over time
  - Maximum shock and vibration resistance
- Rugged die-cast aluminum housing for maximum heat dissipation

**Accessories:**  
Finger guards

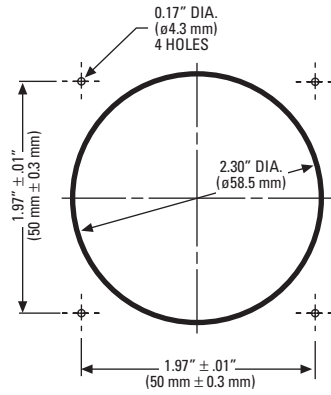
**General Specifications**

- Frame:** Die-cast aluminum painted black for moisture and corrosion resistance
- Impeller:** Reinforced polybutylene plastic (UL94V-0 rating)
- Bearings:** Precision, life-lubricated ball bearings
- Insulation:** Class A integral ground system rated @ 248°F (120°C)
- Weight:** 5.0 ozs. (140 grams)
- Operating Temperature Range:** 14° to 158°F (-10° to 70°C)
- Insulation Resistance:** 100 megohms minimum @ 500 VDC
- Dielectric Strength:** 1500 VAC for 3 seconds
- Safety Protection:** Impedance protected
- Life Expectancy:** 75,000 hours minimum @ 77°F (25°C)

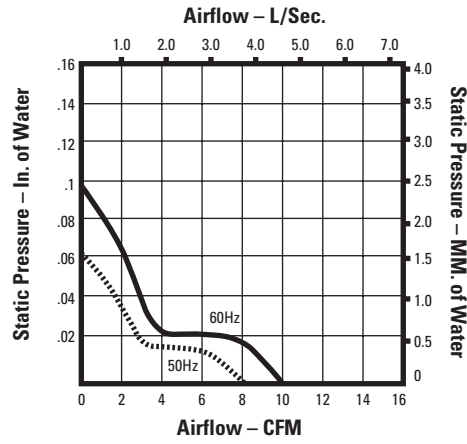


Globe Motors Part Number	Nominal Voltage VAC	Frequency Hz	Watts	Line Amps	Locked Rotor Amps	RPM	Acoustic Noise dBA	Airflow (Min.)	
								CFM	Liters per Second
A24-B12A-15W3-000	115	50 / 60	4.0 / 3.8	0.044 / 0.038	0.07 / 0.06	2350 / 3000	28 / 29	8 / 10	3.8 / 4.7

### Installation Guide



### Performance at Sea Level



**A24-B12A-15W3-000**

### Approvals



**UL File No.**  
**E105397**



**CSA File No.**  
**72877**



All operating specifications measured at nominal operating voltage, free air at sea level

### NOTES: