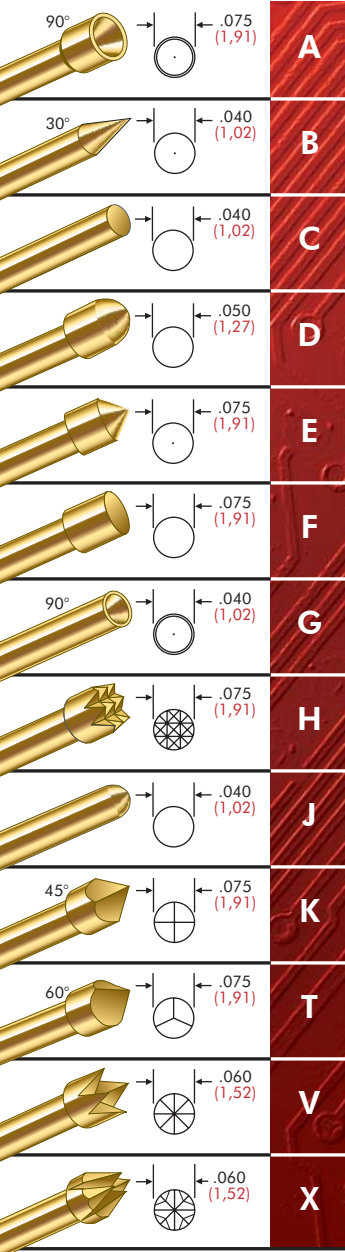


Series S SIZE 2 .100 CENTERS

BeCu PLUNGERS



PROBE SPECIFICATIONS

Minimum Centers: .100 (2,54)
 Current Rating: 3 amps continuous
 Spring Force: 4.0, 7.0, 8.3 or 10.0 oz. @ .100 (2,54) travel
 Contact Resistance:
 Economy: <60 mΩ
 Standard: <35 mΩ
 Working Travel: .100 (2,54)

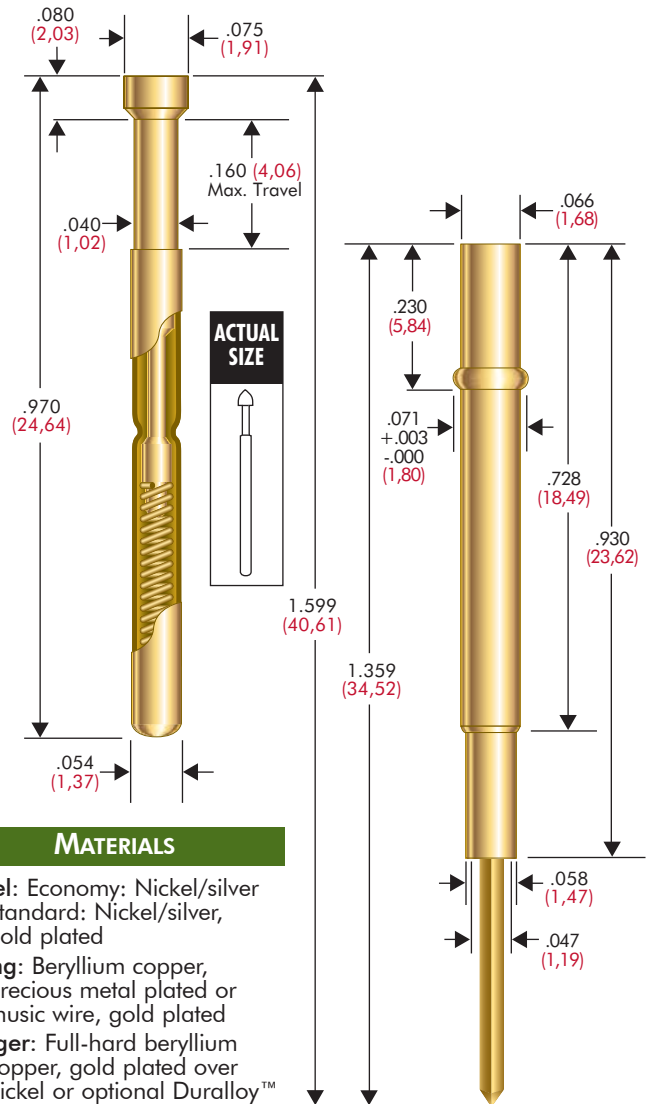
Rated Force oz (gms)	Preload oz (gms)	Material
4.0 (113)	1.6 (45)	BeCu
7.0 (198)	2.9 (82)	BeCu
8.3 (235)	3.3 (93)	MW
10.0 (283)	3.9 (110)	MW

RECEPTACLE SPECIFICATIONS

Connections:
 R-2-CR: Crimp
 R-2-SC: Solder Cup
 R-2-WW: Wire Wrap, .025 (0,64) square post .429 (10,90) length
 R-2-RP: Round Post .025 (0,64) diameter .375 (9,53) length

Recommended Wire:
 22-26 gage
Drill Size: #30
Mounting Hole Size:
 .068/.070 (1,73/1,78)

S 2 PROBE AND RECEPTACLE



MATERIALS

Barrel: Economy: Nickel/silver
 Standard: Nickel/silver, gold plated
Spring: Beryllium copper, precious metal plated or music wire, gold plated
Plunger: Full-hard beryllium copper, gold plated over nickel or optional Duralloy™
Receptacle: Standard: Nickel/silver, gold plated post
 High Performance: Nickel/silver, gold plated; gold plated post

HOW TO ORDER: SPRING CONTACT PROBE

RECEPTACLE

S SERIES
2 SIZE
A TIP STYLE
4 SPRING FORCE
G PLATING OPTIONS

SERIES:
S: Gold Plated Barrel
SX: Improved Pointing Accuracy, Gold Plated Barrel
SE: Nickel/Silver Barrel

SPRING FORCE:
 4.0 oz. @ .100 (2,54) travel
 7.0 oz. @ .100 (2,54) travel
 8.3 oz. @ .100 (2,54) travel
 10.0 oz. @ .100 (2,54) travel

PLATING OPTIONS:
G: Gold Plated Plunger
D: Duralloy™ Plated Plunger

CRIMPING PLIERS: CP2
INSERTION TOOL: RT2

R SERIES
2 SIZE
WW TERMINATION
429 POST LENGTH

SERIES:
R: High Performance Series
RS: Standard Series

POST LENGTH:
WW: 429
RP: 375

TERMINATIONS:
CR: Crimp
SC: Solder Cup
WW: Wire Wrap
RP: Round Post

View updates of this information at <http://www.idinet.com>

Specifications subject to change without notice. Dimensions in inches (millimeters)