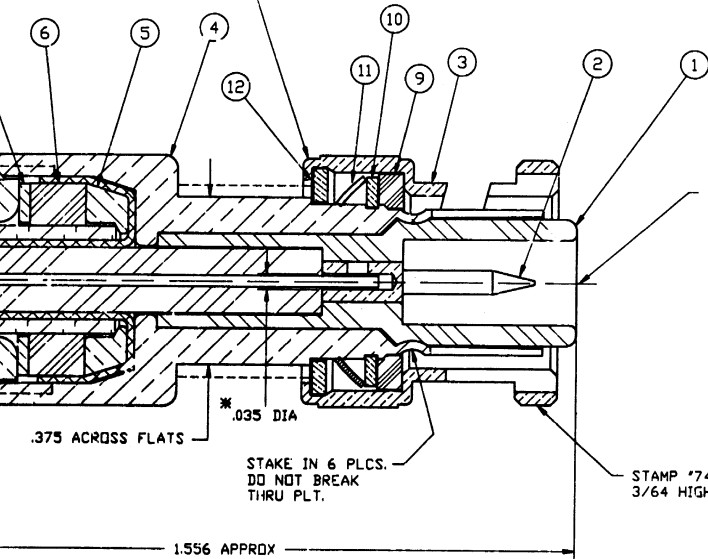


DO NOT SCALE THIS DRAWING

FORM OVER ALL AROUND. DO NOT BREAK THRU PLATING. SEE NOTE 5.



REVISIONS				
SYM	DESCRIPTION	DATE	E.C.O. NO.	APPR.
A	OFFICIAL ENG. RELEASE TO MFG.	2-8-63	7660	
U	REDRAWN, NO CHANGES	4/5/91	38053	DR
V	CHANGE PUSHOUT / WAS 12LBS	2/26/92	38819	CPM
W	ADDED NOTES 5 THRU 8; ADDED CABLE ENTRY DIM; ADDED PLATE LETTERS ITEMS 3, 9, 10, 11 & 12; VORE S/A 38-5320-1; CHANGED PLATE NOTE 4; REMOVED NOTES 2 & 3.	10/1/92	39185	

SEE NOTE 5.

STAMP \*74868 UG-932/U\* IN 3/64 HIGH DEPRESSED CHARACTERS

28000  
DRAWING NUMBER ISSUE  
W

NOTES:

PLATING MUST CONFORM TO AMPHENOL SPEC. 349-50560. CONTACT IS SILVER PLATED, ALL OTHER METAL PARTS ARE ASTROPLATED (REF).

ITEM 1 TO WITHSTAND A PUSH OUT LOAD OF 6 LBS AFTER STAKING. MUST CONFORM TO AMPHENOL SPEC. 349-50551, SEC. 303. OMIT REFERENCE TO CONTACT. PACKAGE THIS CONNECTOR IN BAG 999-226. ITEMS 2, 5, 6, 7 & 8 WILL BE PACKAGED LOOSE. ASTERISK (\*) INDICATES CABLE ENTRY DIM'S.

31-914 H	1	12	WASHER	NOTE 1
95631	1	11	WASHER	SEE COMP.
31-10720-H	1	10	RING	NOTE 1
82-1535-3	1	9	GASKET	
28005-H	1	8	CLAMP NUT	NOTE 1
82-946-22H	1	7	CLAMP WASHER	NOTE 1
28007-H	1	6	CLAMP GASKET	NOTE 1
28004-H	1	5	BRAID CLAMP	NOTE 1
31-10852-H	1	4	BODY	NOTE 1
31-1500 G	1	3	BAYONET SLEEVE	NOTE 1
28003-F	1	2	CONTACT	NOTE 1
28002	1	1	INSULATOR	

PART NO.	QTY	UOM	DESCRIPTION	CODE	FINISH
28002	1	1	INSULATOR		

LIST OF MATERIAL

H:\DEPT611\MHV\000\ASSY\28000		UNLESS OTHERWISE SPECIFIED DIMENSIONS ARE IN INCHES. TOLERANCES NOT OTHERWISE SPECIFIED ARE:		DRAWN BY		DATE		TITLE		Amphenol Corporation	
NEXT ARMY		2 PLACE DECIMAL (.01)		TERRI ALBERA		4/4/91		MINI H.V. PLUG FOR RG59/U CABLE		MP/Microwave Operations	
USED ON		3 PLACE DECIMAL (.001)		ABR		5-26-81		5000V UG-932/U		Danbury, Conn. U.S.A.	
MATERIAL		ANGLES ± 1°		ENGINEER		DATE		SCALE 6:1		SHEET OF	
SPECIFICATION		REFERENCE DRAWING NO.		H.G.H.		6-2-81		74868		C 28000	
FINISH		SIGNAL CORP SPEC		QUALITY ASSURANCE		DATE		10-1-92		W	
		SC-C-83132		N.J. SLADEK		6-2-81					
		G.E. SPEC									
		175A1001 Rev A									