

**Euro-Style Terminal Blocks**

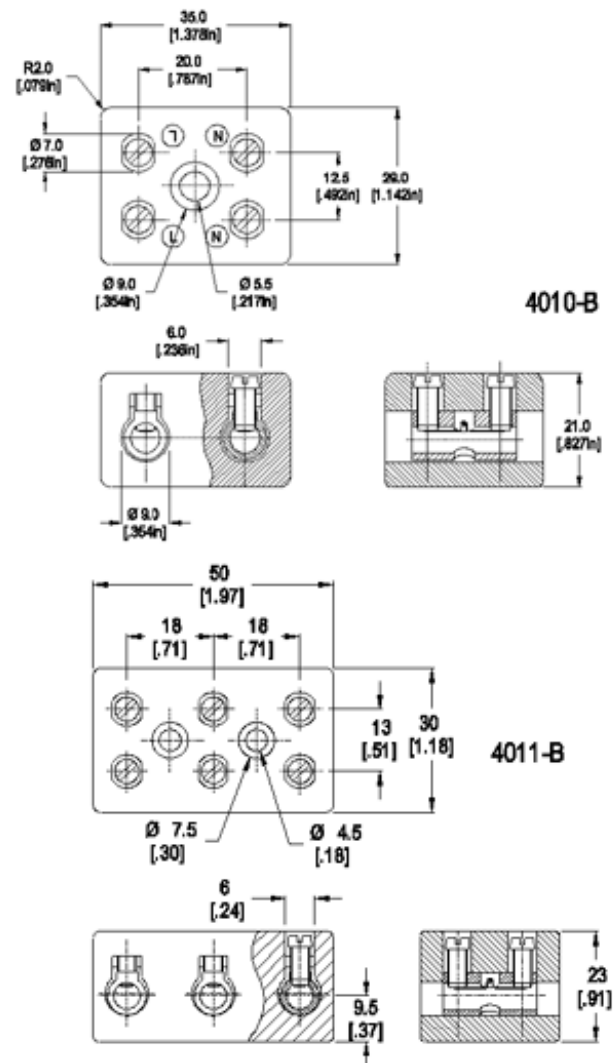
**TYPE 4010-B /4011-B (-HDS)**

18 mm and 18.3 mm spacing - 2 and 3 poles  
Inventory Check

Series	Download PDF	3D Model	Can plug with	How to order	Print
--------	--------------	----------	---------------	--------------	-------



RoHS WEEE Pb free compliant



**Description**

The porcelain molding for these terminal blocks was designed to provide excellent resistance to high temperatures and the ability to allow high current voltage ratings.

Series 401-B can accept up to 61 amperes at 500 volts because of its 18 mm spacing and heavy duty metal components. 4010-B: recommended mounting hardware: M5 cheese head screw (#10-24 fillister head screw), 4011-B: recommended mounting hardware: M4 cheese head screw (#8-32 fillister head screw)

- Ceramic Terminal Block
- High Profile, Heavy Duty

**Technical Data**

**Center to Center Spacing:** 3 poles: 18 mm (0.71 in.) 2 poles: 18.3 mm (0.72 in.)

**Nominal Cross Section:**

10 mm<sup>2</sup> (15498 mils<sup>2</sup>)

**Wire Stripping Length:** 9 mm (0.35 in.)

(maximum load at 40°C (104°F) ambient temperature)

**Recommended operating**

**Voltage:** 500 V

Dimensions: mm (in.)

Length of Connector (L)

L = 35 (1.38) 2 pole / 50 (1.97) 3 pole

When locating connector, allow 0.5 mm clearance around it for process-induced variations.

**Approval Information**

Rating	Current(A)	Voltage(V)	Application group	AWG
UL CSA	50	600	B,C,D	14-8

**Screw Tightening Torque:**  
10

**International Approvals:**



**Material**

**Molding:** Unglazed porcelain KER 111, DIN 40685, color white

**Temperature upper limit:** 200°C (392°F)

**Terminal Body:** Nickel plated brass

**Wire Protector:** Stainless steel

**Screw:** M4 or M5, Zinc plated blue passivated, steel substrate

 [Top of page](#)

**How to order**

**Item**                    **4010-B /4011-B (-HDS)**

**Options**

G05: Gold Plating (5 micro inches)  
G30: Gold Plating (30 micro inches)  
S30: Silver Plating (30 micro inches)

**Ordering Note:** Plated component: terminal body

<b>401</b>	POLES: 2 poles: 0 3 poles: 1	WIRE PROTECTOR: with: - HDS
	-B	

**Request sample**

**Request quote**

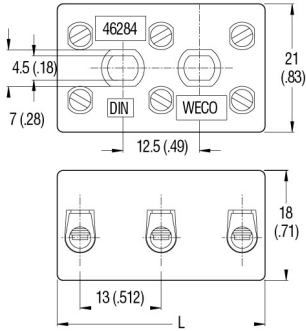
Quantity

**Accessories**

[Add to shopping cart](#)

**Series DIN-46284-ST**

**Type DIN-46284-ST (-HDS)**  
13 mm spacing • 2 and 3 poles



Dimensions: mm (in.) When locating connector, allow 0.5 mm clearance around it for process-induced variations.  
Length of Connector (L) L = 20 (0.79) 2 pole / 34 (1.33) 3 pole

**DESCRIPTION**

The porcelain molding for these terminal blocks was designed to provide excellent resistance to high temperatures and the ability to allow high current voltage ratings.

The DIN-46284 standard pertains to two- and three-pole appliance terminals with 380 V AC and 440 V DC They are supplied with a stainless steel wire protector to prevent damage to stranded wiring.

Recommended mounting hardware: M4 cheese head screw (#8-32 fillister head screw).

**TECHNICAL DATA**

Center to Center Spacing: 13 mm (0.512 in.) Wire Stripping length: 7 mm (0.28 in.)  
Nominal Cross Section: 2.5 mm<sup>2</sup> (3874 mils<sup>2</sup>)

**APPROVAL INFORMATION**

Rating	Current (A)	Voltage (V)	AWG	Application Group	Screw Tightening Torque
CSA	20	300	18-12	B,C,D,E	max. 0.51 Nm

File No.: LR24322  
International Approvals:

**MATERIAL**

MOLDING: Porcelain KER 111, DIN 40685, white  
TEMPERATURE LIMITS: Upper Temperature Limit: 200°C (392°F)  
Terminal Body: nickel plated brass  
Wire Protector: stainless steel  
Screw: yellow chromate passivated, zinc plated, steel, M3

**OPTIONS** See How to Order. If more than one option is required, please separate each option with a dash (-).

BS: Brass Screws  
G05: Gold Plating (5 micro inches)  
G30: Gold Plating (30 micro inches)

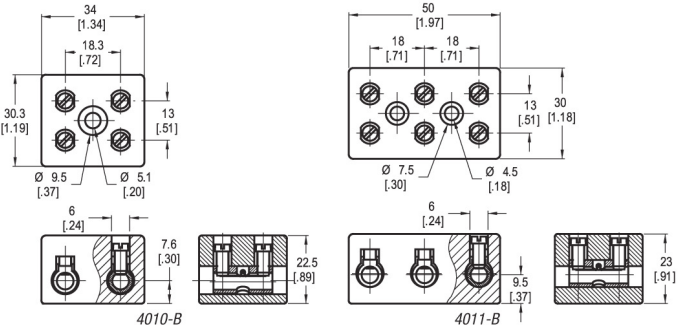
**HOW TO ORDER**

POLES:	WIRE PROTECTOR:	OPTIONS:
2 and 3	with: - HDS	BS, G05, G30, S30

**-DIN-46284-ST**

**Series 401-B**

**Type 4010-B /4011-B (-HDS)**  
18 mm and 20 mm spacing • 2 and 3 poles



Dimensions: mm (in.) When locating connector, allow 0.5 mm clearance around it for process-induced variations.  
Length of Connector (L) L = 35 (1.38) 2 pole / 50 (1.97) 3 pole

**DESCRIPTION**

The porcelain molding for these terminal blocks was designed to provide excellent resistance to high temperatures and the ability to allow high current voltage ratings.

Series 401-B can accept up to 61 amperes at 500 volts because of its 18 mm spacing and heavy duty metal components. 4010-B: recommended mounting hardware: M5 cheese head screw (#10-24 fillister head screw), 4011-B: recommended mounting hardware: M4 cheese head screw (#8-32 fillister head screw).

**TECHNICAL DATA**

Center to Center Spacing: 18 mm (0.71 in.) for three poles - 20 mm (0.79 in.) for two poles  
Wire Stripping length: 9 mm (0.35 in.)  
Nominal Cross Section: 10 mm<sup>2</sup> (15498 mils<sup>2</sup>)  
Recommended operating current voltage and wire range: 500 V (maximum load at 40°C (104°F) ambient temperature)

**APPROVAL INFORMATION**

Rating	Current (A)	Voltage (V)	AWG	Application Group	Screw Tightening Torque
UL	50	600	14-8	B,C,D	max. 10 lbf.in.

File No.: E69841  
International Approvals:

**MATERIAL**

MOLDING: Porcelain KER 111, DIN 40685, white  
TEMPERATURE LIMITS: Upper Temperature Limit: 200°C (392°F)  
Terminal Body: nickel plated brass  
Wire Protector: stainless steel  
Screw: yellow chromate passivated, zinc plated, steel, M4

**OPTIONS** See How to Order. If more than one option is required, please separate each option with a dash (-).

G05: Gold Plating (5 micro inches)  
G30: Gold Plating (30 micro inches)  
S30: Silver Plating (30 micro inches)  
Note: Plated component: terminal body

**HOW TO ORDER**

POLES:	WIRE PROTECTOR:	OPTIONS:
2 poles: 0 3 poles: 1	with: - HDS	G05, G30, S30

**401**      **-B**