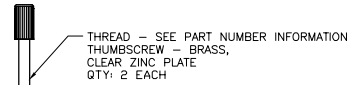
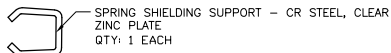
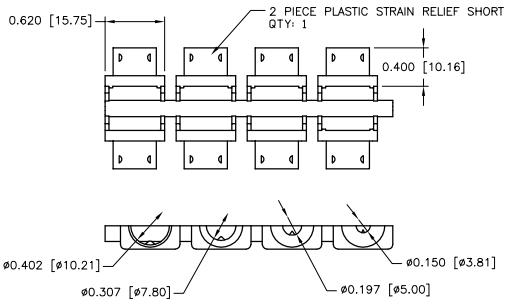
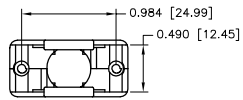
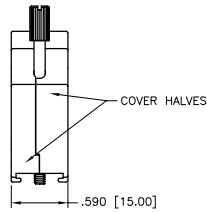
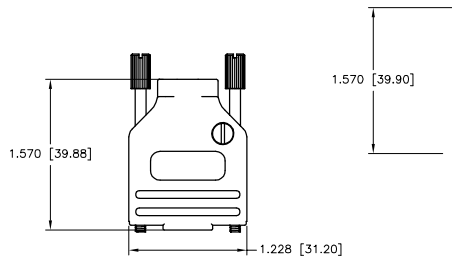


REVISIONS				
ZONE	REV	DESCRIPTION	DATE	APPROVED
	A	ECN 0679	30-OCT-09	
	B	ECN 0684	15-APR-10	



PART NUMBER INFORMATION

PART#	LOGO STYLE	THREAD	SUPPLIED
MHDETZK9K	NO LOGO	4-40 UNC	PACKAGED
MHDETZK9KM25	NO LOGO	M2,5	PACKAGED
MHDETZK9KM26	NO LOGO	M2,6	PACKAGED
MHDETZK9KM3	NO LOGO	M3	PACKAGED

CONNECTOR COVER:

1. MATERIAL: ZINC DIE-CAST
2. FINISH: NICKEL PLATING
3. DIMENSIONS: INCHES [MM]
4. TOLERANCE: ± 0.015 [0.381]

COMPRESSION INSERT TREE

1. MATERIAL: ABS
2. COLOR: BLACK
3. DUROMETER: 70 - TYPE D
4. DIMENSIONS: INCHES [MM]
5. TOLERANCE: ± 0.015 [0.381]

COMPLIANCE NOTE:

PART MUST BE IN COMPLIANCE TO:
DIRECTIVE 2002/95/EC (RoHS)

THIS IS A CONTROLLED DOCUMENT AND IS SUBJECT TO CHANGE. CONTACT NORTHERN TECHNOLOGIES ENGINEERING FOR THE LATEST REVISION.

UNLESS OTHERWISE SPECIFIED

1. ALL DIMENSIONS ARE IN INCHES (MM)
2. DIMENSIONS ARE TYPICAL

Northern Technologies

THIS DRAWING IS THE PROPERTY OF NORTHERN TECHNOLOGIES AND SHOULD NOT BE REPRODUCED WITHOUT NORTHERN TECHNOLOGIES WRITTEN PERMISSION.

PART NUMBER SEE PART NUMBER INFORMATION
DESCRIPTION CMA 9 STRAIGHT EXIT METAL COVER NICKEL

DRAWN	JSD	14-JUL-06	SIZE	CODE	DWG NO.	REV
CHECKED	SCN	14-JUL-06	B	200_199	0002-200-199	
ISSUED		14-JUL-06	SCALE	N.T.S.		SHEET 1 OF 1