

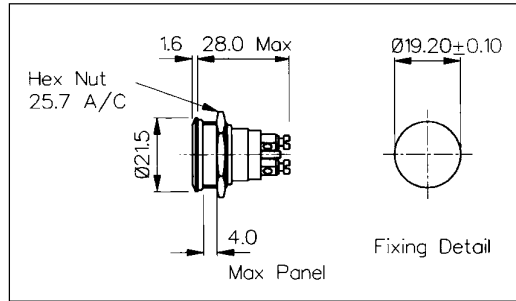
Stainless Steel Low Profile Vandal Resistant - Momentary

FRONT PANEL MOUNTING



MP0037
Sealed to IP68

- Front Panel Sealed to IP68
- 21.5mm diameter
- S.P. Push to Make
- 1A, 50V
- Industry Standard Size

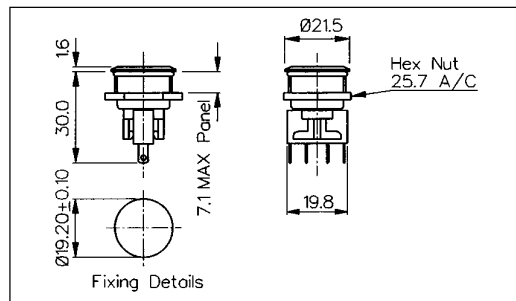


FRONT PANEL MOUNTING



MP0031
Sealed to IP66

- Front Panel Sealed to IP66
- 21.5mm diameter
- S.P.C.O. Microswitch
- 5A, 250V a.c.

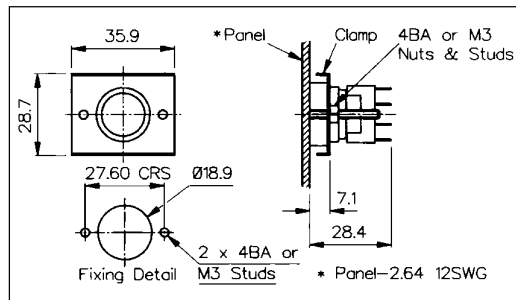


REAR PANEL MOUNTING



MP0034

- Rear Panel Mounting
- Flush with Panel
- 19mm diameter
- S.P.C.O. Microswitch
- 5A, 250V a.c.



Specification	MP0037	MP0031	MP0034
Terminations:	Screw Terminals	Solder Tags	Solder Tags
Switching:	S.P. Push to make Momentary action	S.P.C.O. Momentary Action (Microswitch)	S.P.C.O. Momentary Action (Microswitch)
Max. Rating:	1A, 50V	5A, 250V a.c.	5A, 250V a.c.
Contact Resistance:	<10mΩ	<10mΩ	<10mΩ
Insulation Resistance:	>10 ⁵ MΩ	>10 ³ MΩ.	>10 ³ MΩ
Dielectric Strength:	>1.0kV a.c.	>2.0kV a.c.	>2.0kV a.c.
Operating Temp. Range:	-20°C to +70°C	-20°C to +70°C	-20°C to +70°C
Sealing (Front of panel only):	Protection Classification: IP68 EN60529 1992 (Terminals not sealed)	Protection Classification: IP66 EN60529 1992 (Micro switch not sealed)	
Operations			
Mechanical:	1,000,000 (min)	1,000,000 (min)	250,000 (min)
Electrical:	30,000 (min)	35,000 (min)	35,000 (min)
Operating Pressure:	7.5N (typ)	4.7N (typ)	2.7N (typ)
Rear Nut Fixing Torque:	0.57Nm	0.57Nm	-
Materials			
Mouldings:	Glass Filled Nylon	Glass Filled Nylon	Glass Filled Nylon
Tags/Terminations:	Brass, Silver Plated	Brass, Tin Plated	Brass, Tin Plated
Switch Body & Button:	Stainless Steel	Stainless Steel	Stainless Steel
Contacts:	Brass, Silver Plated, Silver	Fine Silver	Fine Silver
Variants:	-	Engraved Button, Non-Rotating Button, details on request	Engraved Button, Non-Rotating Button, details on request
RoHS	Compliant	Compliant	Compliant

SWITCHES