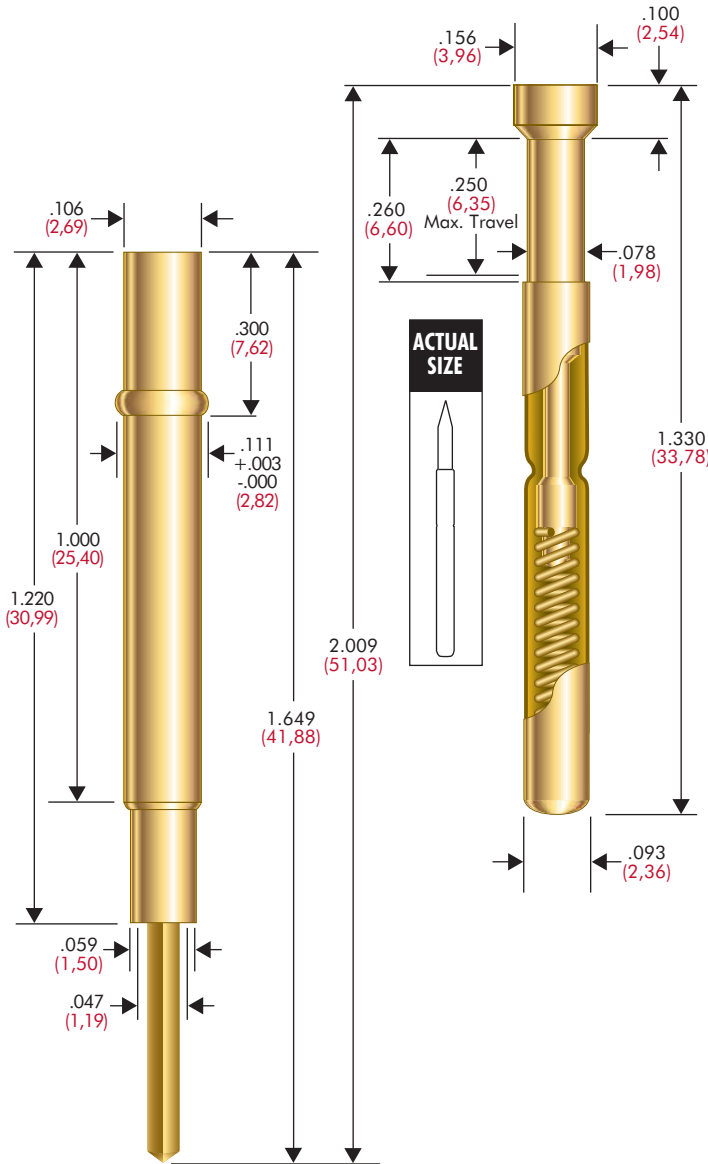


S 4 PROBE AND RECEPTACLE



PROBE SPECIFICATIONS

**Minimum Centers:**  
 .156 (3,96) B, C, D, G, J, K  
 Tip Styles  
 .187 (4,75) A, E, F, H Tip Styles  
**Current Rating:** 5 amps  
 continuous  
**Spring Force:** 5.0 or 7.0 oz.  
 @ .170 (4,32) travel  
**Contact Resistance:** <20 mΩ  
**Working Travel:** .170 (4,32)

Rated Force oz (gms)	Preload oz (gms)
5.0 (142)	2.0 (57)
7.0 (198)	2.8 (79)

RECEPTACLE SPECIFICATIONS

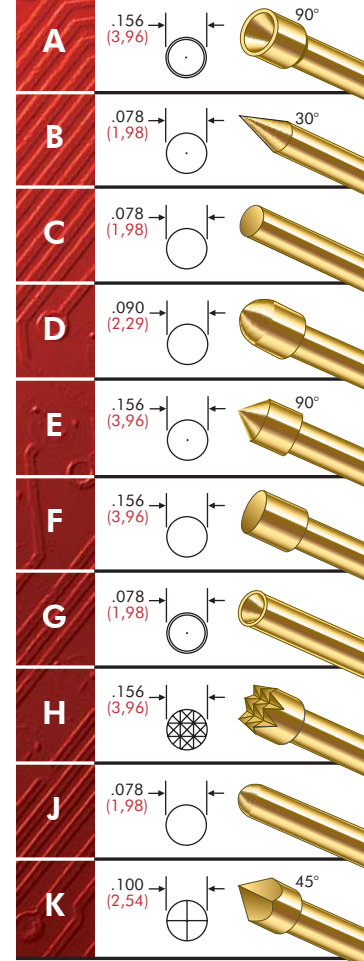
**Connections:**  
 R-4-CR: Crimp  
 R-4-SC: Solder Cup  
 R-4-WW: Wire Wrap,  
 .025 (0,64) square post,  
 .429 (10,90) length

**Recommended Wire:**  
 22-26 gage  
**Drill Size:** #35  
**Mounting Hole Size:**  
 .108/.110 (2,74/2,79)

MATERIALS

**Barrel:** Nickel/silver, gold plated  
**Spring:** Stainless steel, gold plated  
**Plunger:** Full-hard beryllium copper, gold plated over nickel or optional Duralloy™  
**Receptacle:** Nickel/silver, gold plated, gold plated post

BEcu PLUNGERS



HOW TO ORDER: SPRING CONTACT PROBE

**S** SERIES  
**4** SIZE  
**A** TIP STYLE  
**5** SPRING FORCE  
**G** PLATING OPTIONS

**SPRING FORCE:**  
 5.0 oz. @ .170 (4,32) travel  
 7.0 oz. @ .170 (4,32) travel

**CRIMPING PLIERS:** CP4  
**INSERTION TOOL:** RT4

**PLATING OPTIONS:**  
**G:** Gold Plated Plunger  
**D:** Duralloy™ Plated Plunger

RECEPTACLE

**R** SERIES  
**4** SIZE  
**WW** TERMINATION  
**429** POST LENGTH

**TERMINATIONS:**  
**CR:** Crimp  
**SC:** Solder Cup  
**WW:** Wire Wrap

View updates of this information at <http://www.idinet.com>

Specifications subject to change without notice. Dimensions in inches (millimeters)